



4° Extreme Narrow Beam



4° Extreme Narrow Beam



XD9052



KT9052



MHT9052

Light distribution

2700K CRI 90

h (m)	E0° (lx)	Φ (m)
1	12626	0.75
2	3156	1.45
3	1403	2.24
4	789.1	3.00
5	505	3.74

Light distribution

2700K CRI 90

h (m)	E0° (lx)	Φ (m)
1	12626	0.75
2	3156	1.45
3	1403	2.24
4	789.1	3.00
5	505	3.74

Light distribution

2700K CRI 90

h (m)	E0° (lx)	Φ (m)
1	12626	0.75
2	3156	1.45
3	1403	2.24
4	789.1	3.00
5	505	3.74



KT7531



KT7532

Light distribution

2700K CRI 90

h (m)	E0° (lx)	Φ (m)
1	12626	0.75
2	3156	1.45
3	1403	2.24
4	789.1	3.00
5	505	3.74

Light distribution

2700K CRI 90

h (m)	E0° (lx)	Φ (m)
1	12626	0.75
2	3156	1.45
3	1403	2.24
4	789.1	3.00
5	505	3.74

Control Type on request

- On-off
- 0-10V
- Phase-Cut
- DALI
- Casambi



Luminaire specifications

Model	Power	Lumen	CCT	BA.	Cutout	Light Source	Driver	IP	CRI
XD9052	3W	161	2700K	4°	/	OSRAM 3535	KEGU	20	90
KT9052	3W	161	2700K	4°	ø55	OSRAM 3535	KEGU	20	90
MHT9052	3W	161	2700K	4°	/	OSRAM 3535	KEGU	20	90
KT7531	3W	161	2700K	4°	ø55	OSRAM 3535	KEGU	20	90
KT7532	3W	161	2700K	4°	ø55	OSRAM 3535	KEGU	20	90

Frame finishing colour

- Core Colours
- Black RAL9005
 - Grey RAL9006
 - White RAL9016

Colour temperature range

- 2700K
- 3000K
- 3500K
- 4000K
- 5000K
- 6000K
- Tunable White

Colour Rendering Index

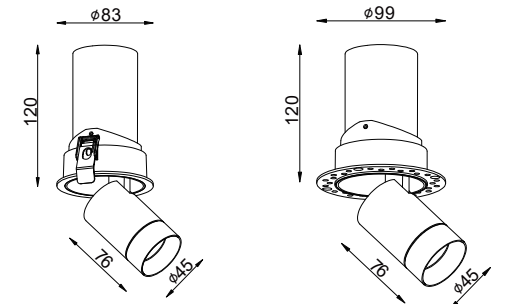
- CRI90
- CRI80

Front Reflector color

- Black RAL9005
- Grey RAL9006
- White RAL9016

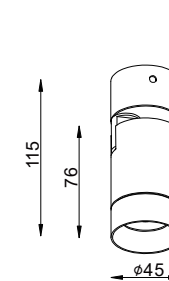
Beam angle

XD9052/KT9052/MHT9052/KT7531/KT7532

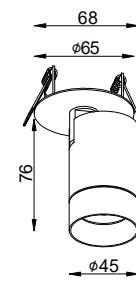


KT7531

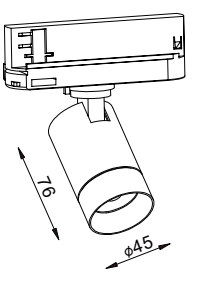
KT7532



XD9052



KT9052



MHT9052