

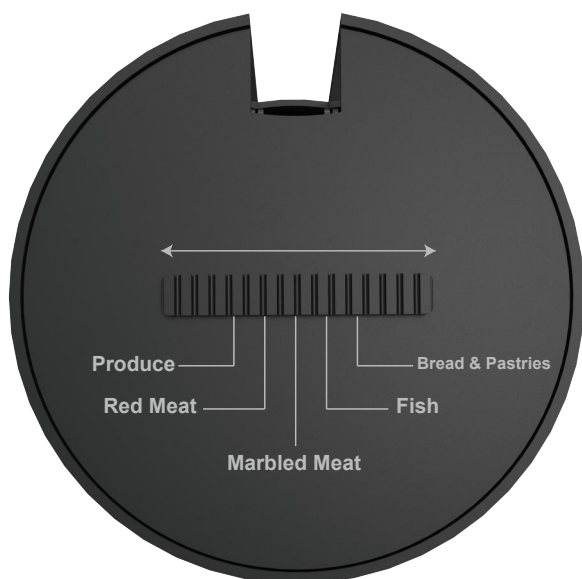
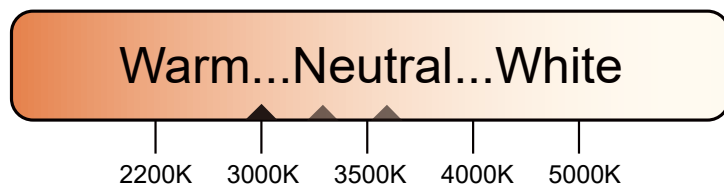


5 CCT Switchable Freely
Reduce Inventory Pressure





one-key switch to control 5CCT freely



Special for:

Produce, Red Meat

Marbled Meat,

Fish and Bread &

Pastries

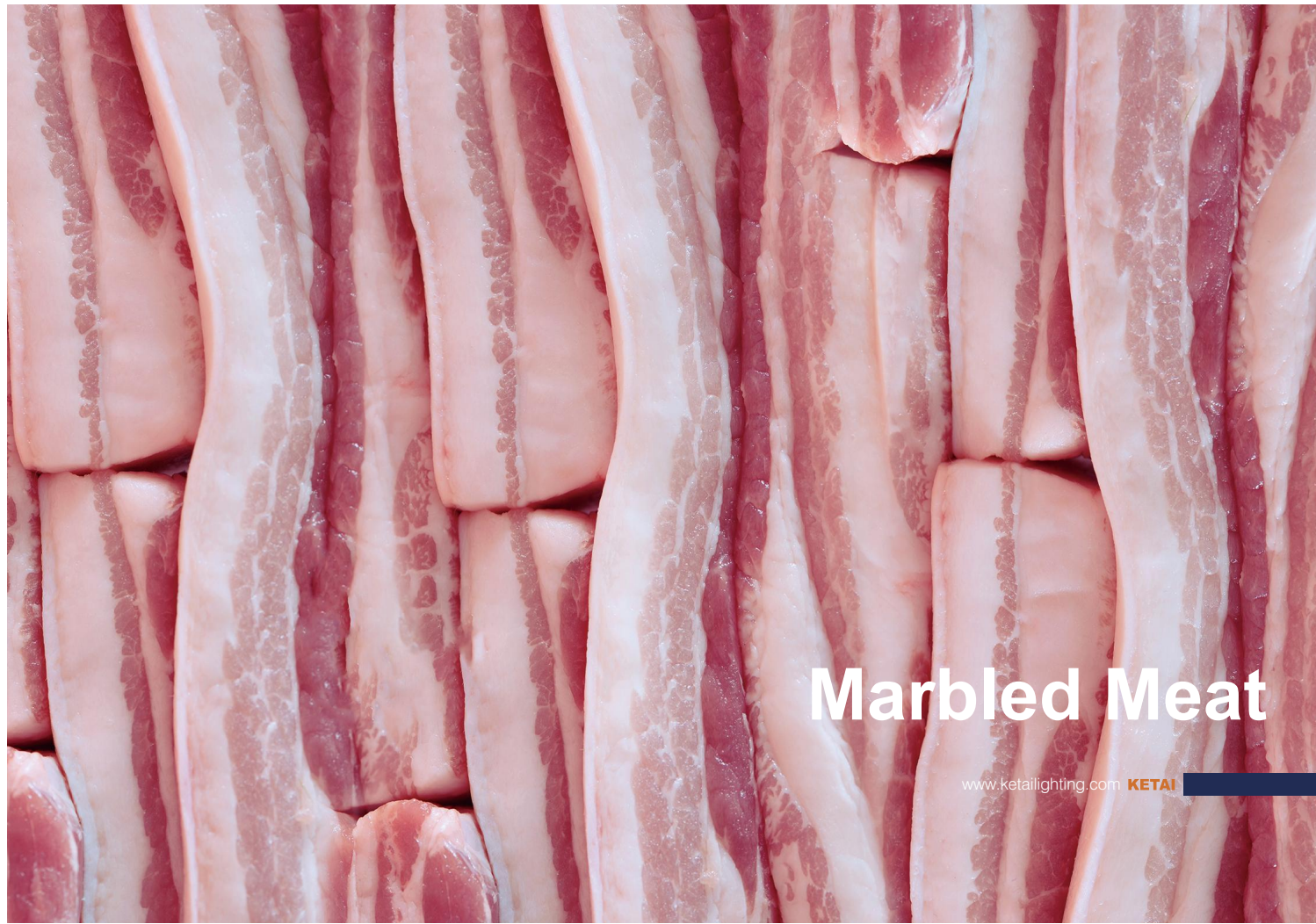
Fresh Food Light



Produce



Bread & Pastries



Marbled Meat



Red Meat



Fish

Supermarket - LED Track Light



Light distribution

5000K CRI 90

MHT9045 30 W		24°
h (m)	E0° (lx)	Φ (m)
1	774.4	1.98
2	193.6	3.95
3	86	5.93
4	48.4	7.91
5	31	9.89



Control Type on request



Luminaire specifications

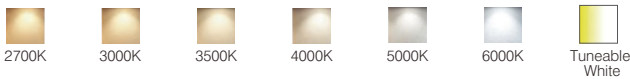
Model	Power	Lumen	CCT	BA.	Light Source	Driver	IP	CRI
MHT9045	30W	720-1500	2200K-5000K	24°	Bridgelux	KGP	20	90

Frame finishing colour

Core Colours



Colour temperature range



Colour Rendering Index

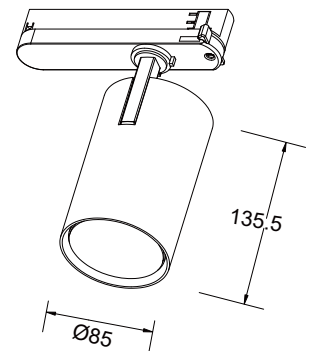


Front Reflector color



Beam angle

MHT9045



MHT9045



KETAI[®]

KETAI INDUSTRIES LIGHTING CO., LTD

Ketai Building, 4 Mashe New Street
Lishui, Nanhai, Post code 528244, Foshan
Guangdong, China

Tel: +86 757 8560 7707

Fax: +86 757 8563 3675

e-mail: sales@ketailighting.com