

Leidy Series - Track Light



Light distribution

3000K CRI 90

| MHT8986 | | 17° | |
|---------|----------|-------|--|
| h (m) | E0° (lx) | Φ (m) | |
| 1 | 4994 | 0.30 | |
| 2 | 1248 | 0.60 | |
| 3 | 554.9 | 0.91 | |
| 4 | 312.1 | 1.21 | |
| 5 | 199.8 | 1.51 | |



Light distribution

3000K CRI 90

| MHT8966-20W | | 41° | |
|-------------|----------|-------|--|
| h (m) | E0° (lx) | Φ (m) | |
| 1 | 5438 | 0.75 | |
| 2 | 1360 | 1.51 | |
| 3 | 604.3 | 2.26 | |
| 4 | 339.9 | 3.01 | |
| 5 | 217.5 | 3.76 | |

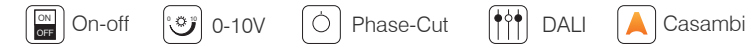


Light distribution

3000K CRI 90

| MHT8966-30W | | 41° | |
|-------------|----------|-------|--|
| h (m) | E0° (lx) | Φ (m) | |
| 1 | 7867 | 0.74 | |
| 2 | 1967 | 1.48 | |
| 3 | 874.1 | 2.23 | |
| 4 | 491.7 | 2.97 | |
| 5 | 314.7 | 3.71 | |

Control Type



Luminaire specifications

| Mode | Power | Lumen | CCT | BA. | Light Source | Driver | IP | CRI |
|-------------|-------|-------|-------|-----|--------------|--------|----|-----|
| MHT8986 | 12W | 1397 | 3000K | 17° | Bridgelux | KEGU | 20 | 90 |
| MHT8966-20W | 20W | 2680 | 3000K | 41° | Bridgelux | VLINCA | 20 | 90 |
| MHT8966-30W | 30W | 3900 | 3000K | 41° | Bridgelux | VLINCA | 20 | 90 |

Frame finishing colour

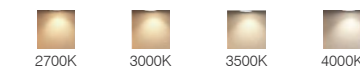
Core Colours



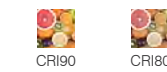
Creative Colours



Colour temperature range



Colour Rendering Index

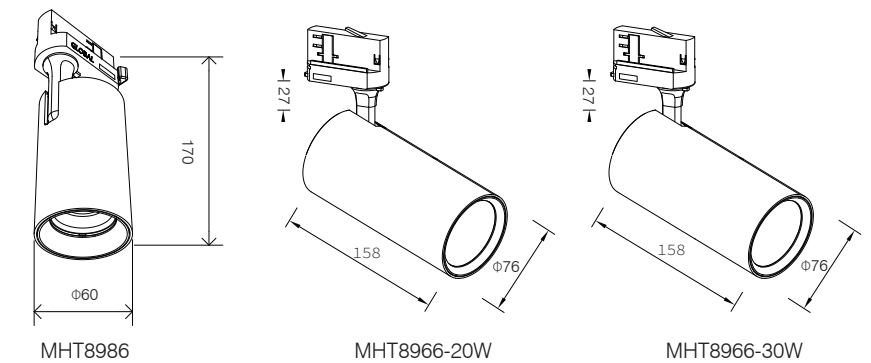
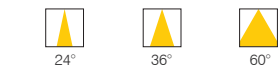


Beam angle

MHT8986



MHT8966-20W/MHT8966-30W



Remark: ● Technical information may change, please refer to the datasheet.