



The use of reflective aluminum cups provides higher light efficiency and a unique square appearance, which is more in line with modern aesthetics. Track mounted lights have bright light quality and high illuminance, with even light distribution that directly illuminates the areas you want to highlight; Multiple exhaust holes on the back for fast heat dissipation.

## Track Wallwasher G2

create and develop the everlasting low carbon green economy is the essential responsibility that KETAI is always pursuing with its high capability in quality, innovation, credit. service into its business management philosophy to achieve greater development for enterprise and business partners. TRACK wall-washer G2 is made with this spirit. It has been upgraded to smaller size and better quality with higher efficient reflector. LED COB and integrated driver.

**KETAI**

# Track Wallwasher G2



## Luminaire specifications

Mode	Power	Lumen	CCT	BA.	Light Source	Driver	CRI
MHT8928	35W	4560	3000K	50x80°	PHILIPS	PHILIPS	90

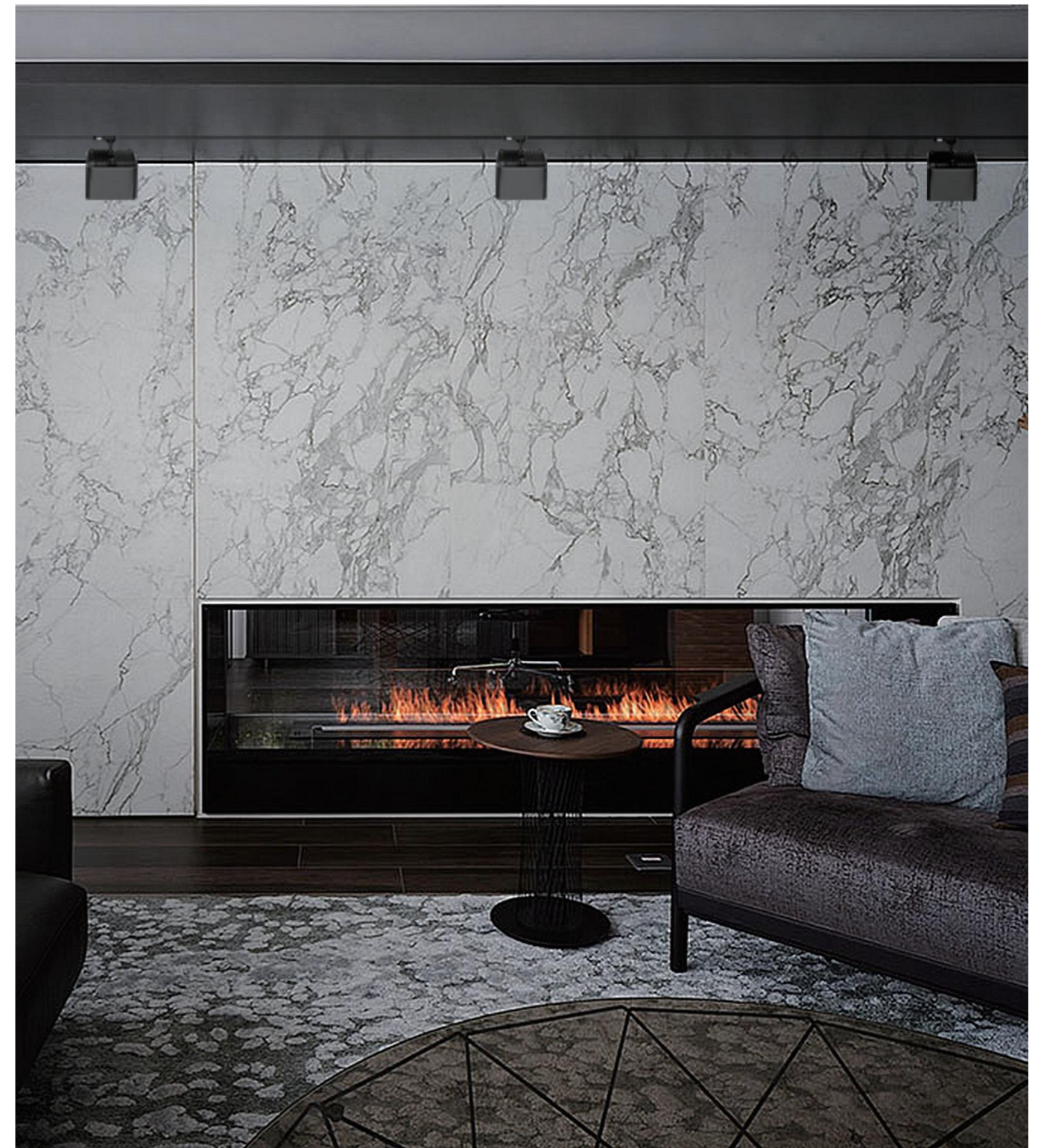
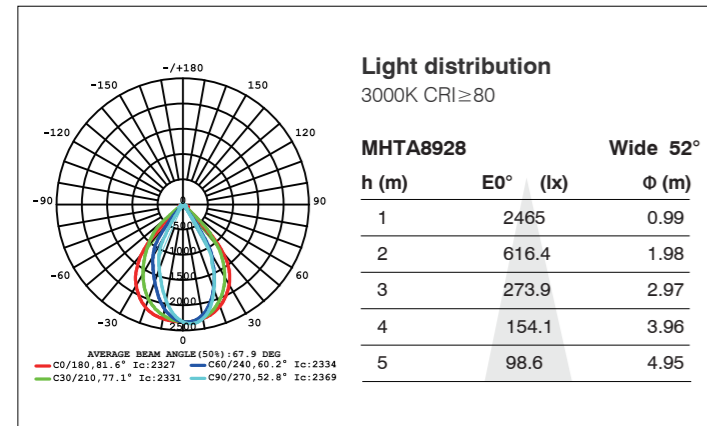
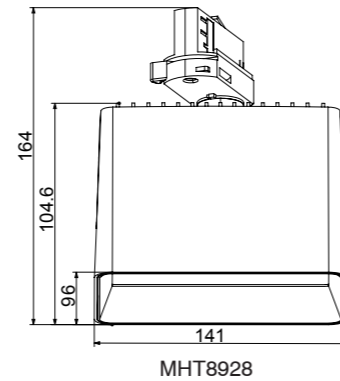
All values are measured at 220V(+/- 10%).  
 Color temperature range 2700K/3000K/3500K/4000K/5000K/6000K  
 Colour Rendering Index (CRI) CRI80, CRI90  
 Die-casting Aluminum

Control Type:



## Finishing colour

- White
- Grey
- Black



Join Us!

KETAI INDUSTRIES LIGHTING CO.,LTD.  
 Ketai Building, 4 Mashe New Street, Lishui, Nanhai,  
 Foshan Guangdong, China  
 M: +86 139 0281 3426  
 T: +86 757 8563 3675  
 E: sales@ketailighting.com  
 www.ketailighting.com

**KETAI**

# Track Wallwasher G2 Series - Track Light



MHT8928

### Light distribution

3000K CRI 90

MHT8928		48°
h (m)	E0° (lx)	Φ (m)
1	4400	0.88
2	1100	1.76
3	488.9	2.64
4	275.0	3.52
5	176.0	4.40



MHT8928A

### Light distribution

3000K CRI 90

MHT8928A		46°
h (m)	E0° (lx)	Φ (m)
1	4066	0.85
2	1016	1.70
3	451.8	2.54
4	254.1	3.39
5	162.6	4.24

### Control Type

On-off 0-10V Phase-Cut DALI Casambi

### Luminaire specifications

Mode	Power	Lumen	CCT	BA.	Light Source	Driver	IP	CRI
MHT8928	35W	4560	3000K	50×80°	Philips	Philips	20	90
MHT8928A	31W	4083	3000K	50×80°	Philips	VLiNCA	20	90

### Frame finishing colour

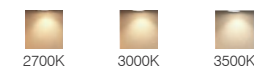
#### Core Colours



#### Creative Colours



### Colour temperature range

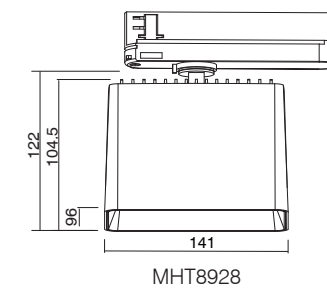


### Colour Rendering Index

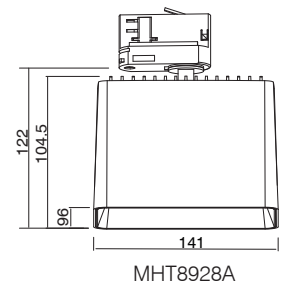


### Beam angle

MHT8928/MHT8928A



MHT8928



MHT8928A

Remark: ● Technical information may change, please refer to the datasheet.