



ZOOMER  
SERIES

# Zoomer Series - Track Light



## Light distribution

3000K CRI 90

MHT8894			20°
h (m)	E0° (lx)	Φ (m)	
1	2153	0.35	
2	538.3	0.71	
3	239.3	1.06	
4	134.6	1.42	
5	86.1	1.77	

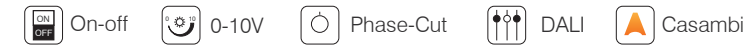


## Light distribution

3000K CRI 90

MHT8894			16°
h (m)	E0° (lx)	Φ (m)	
1	1577	0.29	
2	394.3	0.58	
3	175.2	0.87	
4	98.6	1.16	
5	63.1	1.45	

## Control Type



## Luminaire specifications

Mode	Power	Lumen	CCT	BA.	Light Source	Driver	CRI
MHT8894	7W	146-210	3000K	8-22°	LUMINUS	AREEK	90
MHT8896	15W	780-1146	3000K	18-60°	Bridgelux	KEGU	90
MHT8897	25W	1205-1440	3000K	20-55°	LUMINUS	KEGU	90

All values are measured at 220V(+/- 10%).  
 Color temperature range 2700K/3000K/3500K/4000K/5000K/6000K/Tunable White.  
 Colour Rendering Index (CRI) CRI80, CRI90  
 Die-casting Aluminum

## Frame Finishing color

- Black RAL9005
- Grey RAL9006
- White RAL9016

## Light distribution

3000K CRI 90

MHT8896			55°
h (m)	E0° (lx)	Φ (m)	
1	1241	1.04	
2	310.3	2.07	
3	137.9	3.11	
4	77.6	4.14	
5	49.6	5.18	



## Light distribution

3000K CRI 90

MHT8896			16°
h (m)	E0° (lx)	Φ (m)	
1	7702	0.28	
2	1925	0.57	
3	855.7	0.85	
4	481.3	1.13	
5	308.1	1.41	

## Light distribution

3000K CRI 90

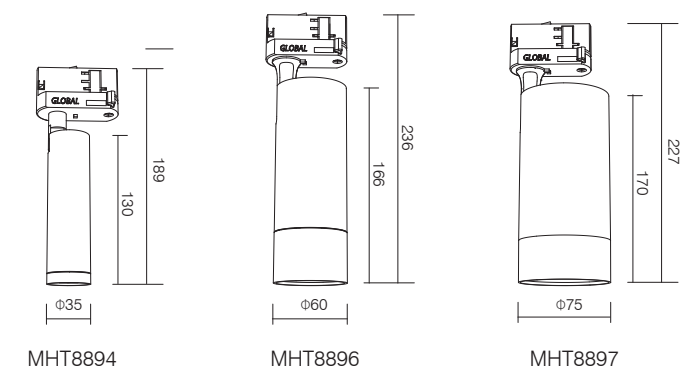
MHT8897			52°
h (m)	E0° (lx)	Φ (m)	
1	2831	0.98	
2	707.7	1.95	
3	314.5	2.93	
4	176.9	3.90	
5	113.2	4.88	



## Light distribution

3000K CRI 90

MHT8897			19°
h (m)	E0° (lx)	Φ (m)	
1	12570	0.34	
2	3142	0.68	
3	1397	1.03	
4	785.6	1.37	
5	502.8	1.71	



Remark: ● Technical information may change, please refer to the datasheet.

# Zoomer Series - Magnetic Light



## Light distribution 3000K CRI 90

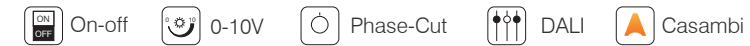
MHTA8863		30°	
h (m)	E0° (lx)	(lx)	Φ (m)
1	371.5		0.54
2	92.9		1.08
3	41.3		1.62
4	23.2		2.15
5	14.9		2.69



## Light distribution 3000K CRI 90

MHTA8863		13°	
h (m)	E0° (lx)	(lx)	Φ (m)
1	851.2		0.22
2	212.8		0.44
3	98.6		0.67
4	53.2		0.89
5	34.1		1.11

## Control Type



## Luminaire specifications

Mode	Power	Lumen	CCT	BA.	Light Source	Driver	CRI
MHTA8863	5W	103-166	3000K	17-33°	Bridgelux	CHIPMAP	90
MHTA8864	10W	222-302	3000K	17-33°	Bridgelux	CHIPMAP	90
MHTA8865	5W	103-166	3000K	17-33°	Bridgelux	CHIPMAP	90
MHTA8866	10W	222-302	3000K	17-33°	Bridgelux	CHIPMAP	90

All values are measured at 48V.  
Color temperature range 2700K/3000K/3500K/4000K/5000K/6000K/Tunable White.  
Colour Rendering Index (CRI) CRI80, CRI90  
Die-casting Aluminum

## Frame Finishing color

- Black RAL9005
- Grey RAL9006
- White RAL9016

## Light distribution 3000K CRI 90

MHTA8864		33°	
h (m)	E0° (lx)	(lx)	Φ (m)
1	1065		0.59
2	266.4		1.19
3	118.4		1.78
4	66.6		2.38
5	42.6		2.97



## Light distribution 3000K CRI 90

MHTA8864		17°	
h (m)	E0° (lx)	(lx)	Φ (m)
1	1929		0.29
2	482.2		0.58
3	214.3		0.87
4	120.5		1.16
5	77.2		1.45

## Light distribution 3000K CRI 90

MHTA8865		30°	
h (m)	E0° (lx)	(lx)	Φ (m)
1	371.5		0.54
2	92.9		1.08
3	41.3		1.62
4	23.2		2.15
5	14.9		2.69



## Light distribution 3000K CRI 90

MHTA8865		13°	
h (m)	E0° (lx)	(lx)	Φ (m)
1	851.2		0.22
2	212.8		0.44
3	98.6		0.67
4	53.2		0.89
5	34.1		1.11

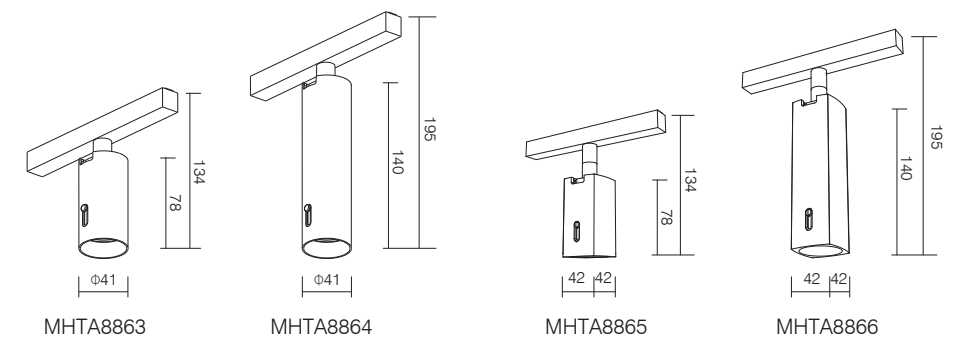
## Light distribution 3000K CRI 90

MHTA8866		33°	
h (m)	E0° (lx)	(lx)	Φ (m)
1	1065		0.59
2	266.4		1.19
3	118.4		1.78
4	66.6		2.38
5	42.6		2.97



## Light distribution 3000K CRI 90

MHTA8866		17°	
h (m)	E0° (lx)	(lx)	Φ (m)
1	1929		0.29
2	482.2		0.58
3	214.3		0.87
4	120.5		1.16
5	77.2		1.45



Remark: ● Technical information may change, please refer to the datasheet.