



EXTREM
SERIES



Extrem Series - Recessed Downlight



KT6989

Light distribution

3000K CRI 90

KT6989		7°	
h (m)	E0° (lx)	Φ (m)	
1	10005	0.12	
2	2501	0.23	
3	1112	0.35	
4	625.3	0.47	
5	400.2	0.58	



KT6989A

Light distribution

3000K CRI 90

KT6989A		34°	
h (m)	E0° (lx)	Φ (m)	
1	1107	0.62	
2	276.8	1.23	
3	123.0	1.85	
4	69.2	2.46	
5	44.3	3.08	



KT6990

Light distribution

3000K CRI 90

KT6990		7°	
h (m)	E0° (lx)	Φ (m)	
1	10005	0.12	
2	2501	0.23	
3	1112	0.35	
4	625.3	0.47	
5	400.2	0.58	



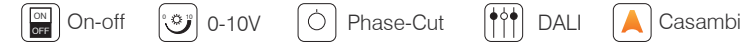
KT6990A

Light distribution

3000K CRI 90

KT6990A		25°	
h (m)	E0° (lx)	Φ (m)	
1	3086	0.45	
2	771.5	0.90	
3	342.9	1.35	
4	192.9	1.80	
5	123.4	2.25	

Control Type



Luminaire specifications

Mode	Power	Lumen	CCT	BA.	Cutout	Light Source	Driver	CRI
KT6989	8W	352	3000K	7°	Ø83	CREE	LIFUD	90
KT6989A	9W	527	3000K	15/25/38/60°	Ø83	CITIZEN	TRIDONIC	90
KT6990	8W	352	3000K	7°	Ø95	CREE	LIFUD	90
KT6990A	14W	1089	3000K	15/25/38/60°	Ø95	CITIZEN	TRIDONIC	90

All values are measured at 220V(+/- 10%).
Color temperature range 2700K/3000K/3500K/4000K/5000K/6000K/Tunable White.
Colour Rendering Index (CRI) CRI80, CRI90
Die-casting Aluminum

Front Ring Finishing color

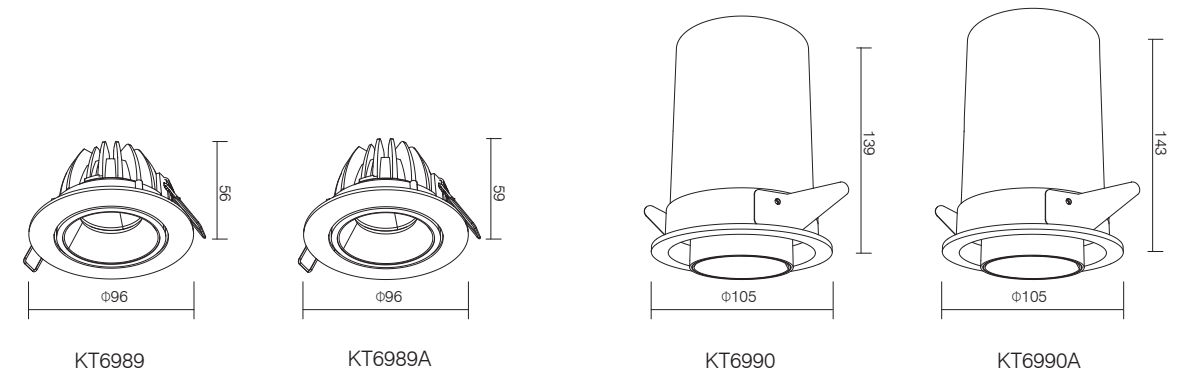


Replaceable Accessories



Frame Finishing color

- Black RAL9005
- Grey RAL9006
- White RAL9016



Remark: ● Technical information may change, please refer to the datasheet.