

IBIS SERIES



Ibis Series - Recessed Downlight



Light distribution

3000K CRI 90

KT6915		26°
h (m)	E0° (lx)	Φ (m)
1	1180	0.47
2	295.0	0.93
3	131.1	1.40
4	73.7	1.86
5	47.2	2.33



Light distribution

3000K CRI 90

KT6967		39°
h (m)	E0° (lx)	Φ (m)
1	809.1	0.70
2	202.3	1.41
3	89.9	2.11
4	50.6	2.82
5	32.4	3.52

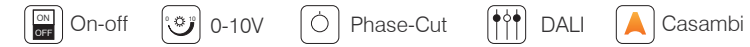


Light distribution

3000K CRI 90

KT6967-2		39°
h (m)	E0° (lx)	Φ (m)
1	1663	0.71
2	415.8	1.42
3	184.8	2.13
4	104.0	2.84
5	66.5	3.55

Control Type



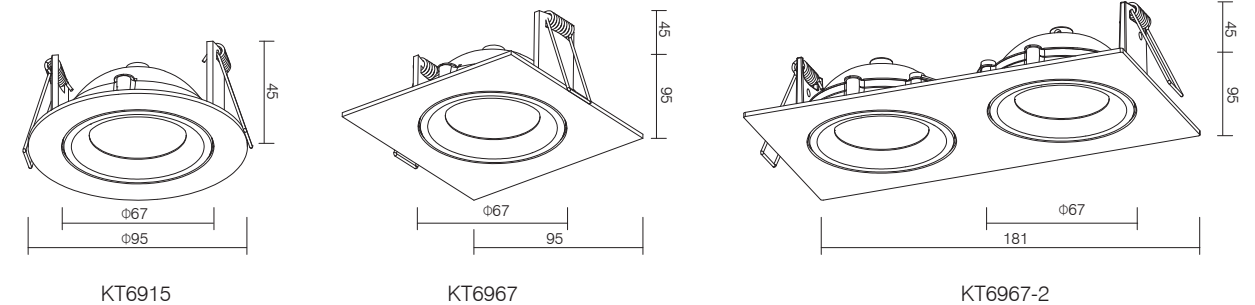
Luminaire specifications

Mode	Power	Lumen	CCT	BA.	Cutout	Light Source	Driver	CRI
KT6915	8W	800	3000K	15/25/38/60°	Φ82	Bridgelux	Lifud	90
KT6967	8W	800	3000K	15/25/38/60°	Φ82	Bridgelux	Lifud	90
KT6967-2	8Wx2	800x2	3000K	15/25/38/60°	171x82	Citizen	AREEK	90

All values are measured at 220V(+/- 10%).
 Color temperature range 2700K/3000K/3500K/4000K/5000K/6000K/Tunable White.
 Colour Rendering Index (CRI) CRI80, CRI90
 Die-casting Aluminum

Frame Finishing color

- Black RAL9005
- Grey RAL9006
- White RAL9016



Remark: ● Technical information may change, please refer to the datasheet.