

PANEL SERIES



Panel Series - Track Light



Light distribution

3000K CRI 90

MHT8905A			125°
h (m)	E0° (lx)	Φ (m)	
1	814.6	3.87	
2	203.6	7.74	
3	90.5	11.61	
4	50.9	15.48	
5	32.6	19.35	



Light distribution

3000K CRI 90

MHT8905B			72°
h (m)	E0° (lx)	Φ (m)	
1	1980	1.45	
2	495.0	2.89	
3	220.0	4.34	
4	123.7	5.78	
5	79.2	7.23	



Light distribution

6000K CRI 90

MHT8906			120°
h (m)	E0° (lx)	Φ (m)	
1	466.8	0.31	
2	116.7	0.62	
3	51.9	0.92	
4	29.2	1.23	
5	18.7	1.54	



Light distribution

6000K CRI 90

MHT8908			120°
h (m)	E0° (lx)	Φ (m)	
1	815.0	0.32	
2	203.7	0.64	
3	90.55	0.96	
4	50.94	1.28	
5	32.6	1.60	

Control Type



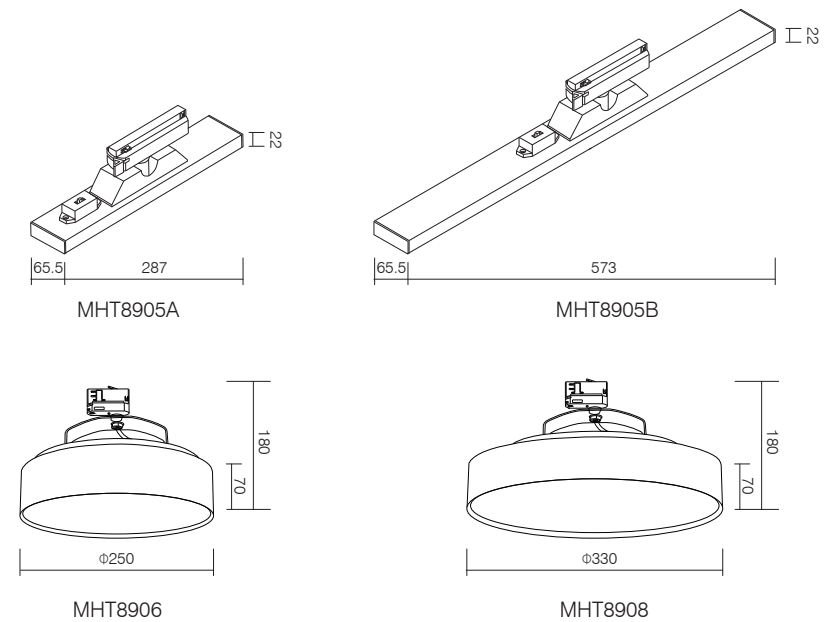
Luminaire specifications

Mode	Power	Lumen	CCT	BA.	Light Source	Driver	CRI
MHT8905A	24W	2150-2400	3000/4000/5700K	83°	Bridgelux	OSRAM	90
MHT8905B	42W	3900-4500	3000/4000/5700K	128°	Bridgelux	OSRAM	90
MHT8906	24W	1745	6000K	120°	Bridgelux	OSRAM	90
MHT8908	36W	2970	6000K	120°	Bridgelux	OSRAM	90

All values are measured at 220V(+/- 10%).
 Color temperature range 2700K/3000K/3500K/4000K/5000K/6000K/Tunable White.
 Colour Rendering Index (CRI) CRI80, CRI90
 Die-casting Aluminum

Frame Finishing color

- Black RAL9005
- Grey RAL9006
- White RAL9016



Remark: ● Technical information may change, please refer to the datasheet.