

ZOOMER SERIES





Zoomer Series - Recessed Downlight & Surface Mounted Light



Light distribution 3000K CRI 90

KT6985	43°	
h (m)	E0° (lx)	Φ (m)
1	1293	0.78
2	323.2	1.56
3	143.7	2.34
4	80.8	3.12
5	51.7	3.90



Light distribution 3000K CRI 90

KT6985	8°	
h (m)	E0° (lx)	Φ (m)
1	8926	0.13
2	2232	0.27
3	991.8	0.40
4	557.9	0.53
5	357.0	0.66

Control Type



Luminaire specifications

Mode	Power	Lumen	CCT	BA.	Cutout	Light Source	Driver	CRI
KT6985	15W	220-568	3000K	8-45°	Ø81	Bridgelux	KEGU	90
KT6985-1	30W	928-1856	3000K	18-55°	Ø92	Bridgelux	KEGU	90
XD2211	15W	220-568	3000K	8-45°		Bridgelux	KEGU	90
XD2212	30W	928-1856	3000K	18-55°		Bridgelux	KEGU	90

All values are measured at 220V(+/- 10%).
Color temperature range 2700K/3000K/3500K/4000K/5000K/6000K/Tunable White.
Colour Rendering Index (CRI) CRI80, CRI90
Die-casting Aluminum

Frame Finishing color

- Black RAL9005
- Grey RAL9006
- White RAL9016

Light distribution 3000K CRI 90

KT6985-1	40°	
h (m)	E0° (lx)	Φ (m)
1	3738	0.73
2	934.5	1.45
3	415.4	2.18
4	233.6	2.91
5	149.5	3.63



Light distribution 3000K CRI 90

KT9658-1	18°	
h (m)	E0° (lx)	Φ (m)
1	6781	0.32
2	1695	0.64
3	753.4	0.97
4	423.8	1.29
5	271.2	1.61

Light distribution 3000K CRI 90

XD2211	43°	
h (m)	E0° (lx)	Φ (m)
1	1293	0.78
2	323.2	1.56
3	143.7	2.34
4	80.8	3.12
5	51.7	3.90



Light distribution 3000K CRI 90

XD2211	8°	
h (m)	E0° (lx)	Φ (m)
1	8926	0.13
2	2232	0.27
3	991.8	0.40
4	557.9	0.53
5	357.0	0.66

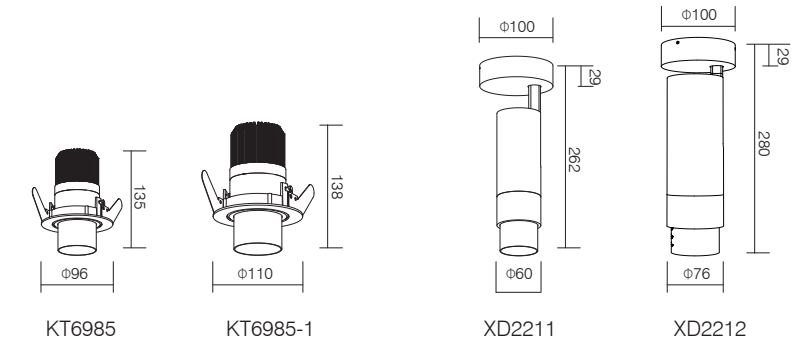
Light distribution 3000K CRI 90

XD2212	40°	
h (m)	E0° (lx)	Φ (m)
1	3738	0.73
2	934.5	1.45
3	415.4	2.18
4	233.6	2.91
5	149.5	3.63



Light distribution 3000K CRI 90

XD2212	18°	
h (m)	E0° (lx)	Φ (m)
1	6781	0.32
2	1695	0.64
3	753.4	0.97
4	423.8	1.29
5	271.2	1.61



Remark: ● Technical information may change, please refer to the datasheet.

Zoomer Series - Track Light



Light distribution 3000K CRI 90

MHT8837	47°	
h (m)	E0° (lx)	Φ (m)
1	1045	0.87
2	261.4	1.74
3	116.2	2.60
4	65.3	3.47
5	41.8	4.34



Light distribution 3000K CRI 90

MHT8837	8°	
h (m)	E0° (lx)	Φ (m)
1	9723	0.14
2	2431	0.29
3	1080	0.43
4	607.7	0.58
5	388.9	0.72

Control Type



Luminaire specifications

Mode	Power	Lumen	CCT	BA.	Light Source	Driver	CRI
MHT8837	15W	258-653	3000K	8-45°	Bridgelux	OSRAM	90
MHT8847	30W	970-1962	3000K	18-55°	Bridgelux	OSRAM	90
MHT8837A	15W	107-370	2700-6500K	17-41°	Evercore	KEGU	90
MHT8847A	30W	707-1889	2700-6500K	20-50°	Evercore	KEGU	90

All values are measured at 220V(+/- 10%).
Color temperature range 2700K/3000K/3500K/4000K/5000K/6000K/Tunable White.
Colour Rendering Index (CRI) CRI80, CRI90
Die-casting Aluminum

Frame Finishing color

- Black RAL9005
- Grey RAL9006
- White RAL9016

Light distribution 3000K CRI 90

MHT8847	50°	
h (m)	E0° (lx)	Φ (m)
1	2596	0.94
2	649.0	1.88
3	288.5	2.82
4	162.3	3.76
5	103.8	4.70



Light distribution 3000K CRI 90

MHT8847	19°	
h (m)	E0° (lx)	Φ (m)
1	6020	0.34
2	1505	0.68
3	668.9	1.03
4	376.3	1.34
5	240.8	1.71

Light distribution 6500K CRI 90

MHT8837A	41°	
h (m)	E0° (lx)	Φ (m)
1	922.9	0.75
2	230.7	1.50
3	102.5	2.25
4	57.7	2.99
5	36.9	3.74



Light distribution 2700K CRI 90

MHT8837A	17°	
h (m)	E0° (lx)	Φ (m)
1	921.4	0.29
2	230.3	0.58
3	102.4	0.88
4	57.6	1.17
5	36.9	1.46

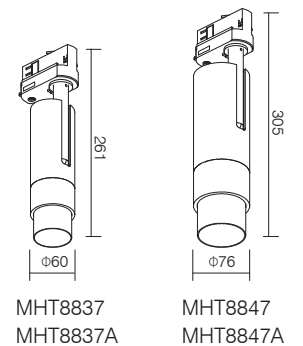
Light distribution 6500K CRI 90

MHT8847A	50°	
h (m)	E0° (lx)	Φ (m)
1	2608	0.94
2	651.9	1.88
3	289.7	2.82
4	163.0	3.76
5	104.3	4.70



Light distribution 2700K CRI 90

MHT8847A	20°	
h (m)	E0° (lx)	Φ (m)
1	4222	0.36
2	1056	0.72
3	469.1	1.08
4	263.9	1.44
5	168.9	1.80



Remark: ● Technical information may change, please refer to the datasheet.

Zoomer Series - Pendant Light



Light distribution

3000K CRI 90

KF1059		40°	
h (m)	E0° (lx)	Φ (m)	
1	3738	0.73	
2	934.5	1.45	
3	415.4	2.18	
4	233.6	2.91	
5	149.5	3.63	



Light distribution

3000K CRI 90

KF1060		43°	
h (m)	E0° (lx)	Φ (m)	
1	1293	0.78	
2	323.2	1.56	
3	143.7	2.34	
4	80.8	3.12	
5	51.7	3.90	



Control Type



Luminaire specifications

Mode	Power	Lumen	CCT	BA.	Light Source	Driver	CRI
KF1059	30W	928-1856	3000K	20-40°	Bridgelux	KEGU	90
KF1060	15W	220-268	3000K	8-45°	Bridgelux	KEGU	90

All values are measured at 220V(+/- 10%).
 Color temperature range 2700K/3000K/3500K/4000K/5000K/6000K/Tunable White.
 Colour Rendering Index (CRI) CRI80, CRI90
 Die-casting Aluminum

Frame Finishing color

- Black RAL9005
- Grey RAL9006
- White RAL9016

Light distribution

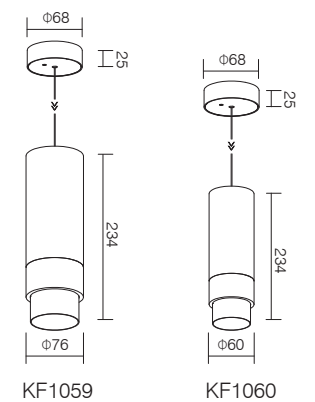
3000K CRI 90

KF1059		18°	
h (m)	E0° (lx)	Φ (m)	
1	6781	0.32	
2	1695	0.64	
3	753.4	0.97	
4	423.8	1.29	
5	271.2	1.61	

Light distribution

3000K CRI 90

KF1060		8°	
h (m)	E0° (lx)	Φ (m)	
1	8926	0.13	
2	2232	0.27	
3	991.8	0.40	
4	557.9	0.53	
5	357.0	0.66	



Remark: ● Technical information may change, please refer to the datasheet.

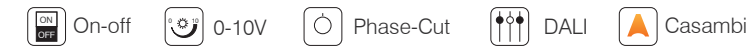
Zoomer Series



Zoomer Series - Magnetic Light



Control Type



Luminaire specifications

Mode	Power	Lumen	CCT	BA.	Light Source	Driver	CRI
MHTA8837	15W	186-423	3000K	8-45°	Bridgelux	HEP	90

All values are measured at 48V.
 Color temperature range 2700K/3000K/3500K/4000K/5000K/6000K/Tunable White.
 Colour Rendering Index (CRI) CRI80, CRI90
 Die-casting Aluminum

Frame Finishing color

- Black RAL9005
- Grey RAL9006
- White RAL9016

Light distribution

3000K CRI 90

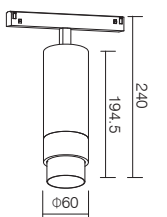
MHTA8837		42°
h (m)	E0° (lx)	Φ (m)
1	1137	0.77
2	284.3	1.55
3	126.3	2.32
4	71.1	3.09
5	45.5	3.87



Light distribution

3000K CRI 90

MHTA8837		8°
h (m)	E0° (lx)	Φ (m)
1	8926	0.13
2	2232	0.27
3	991.8	0.40
4	557.9	0.53
5	357.0	0.66



MHTA8837

Remark: ● Technical information may change, please refer to the data sheet.



ZOOMER
SERIES

Zoomer Series - Track Light



Light distribution

3000K CRI 90

MHT8894			20°
h (m)	E0° (lx)	Φ (m)	
1	2153	0.35	
2	538.3	0.71	
3	239.3	1.06	
4	134.6	1.42	
5	86.1	1.77	



Light distribution

3000K CRI 90

MHT8894			16°
h (m)	E0° (lx)	Φ (m)	
1	1577	0.29	
2	394.3	0.58	
3	175.2	0.87	
4	98.6	1.16	
5	63.1	1.45	

Control Type



Luminaire specifications

Mode	Power	Lumen	CCT	BA.	Light Source	Driver	CRI
MHT8894	7W	146-210	3000K	8-22°	LUMINUS	AREEK	90
MHT8896	15W	780-1146	3000K	18-60°	Bridgelux	KEGU	90
MHT8897	25W	1205-1440	3000K	20-55°	LUMINUS	KEGU	90

All values are measured at 220V(+/- 10%).
 Color temperature range 2700K/3000K/3500K/4000K/5000K/6000K/Tunable White.
 Colour Rendering Index (CRI) CRI80, CRI90
 Die-casting Aluminum

Frame Finishing color

- Black RAL9005
- Grey RAL9006
- White RAL9016

Light distribution

3000K CRI 90

MHT8896			55°
h (m)	E0° (lx)	Φ (m)	
1	1241	1.04	
2	310.3	2.07	
3	137.9	3.11	
4	77.6	4.14	
5	49.6	5.18	



Light distribution

3000K CRI 90

MHT8896			16°
h (m)	E0° (lx)	Φ (m)	
1	7702	0.28	
2	1925	0.57	
3	855.7	0.85	
4	481.3	1.13	
5	308.1	1.41	

Light distribution

3000K CRI 90

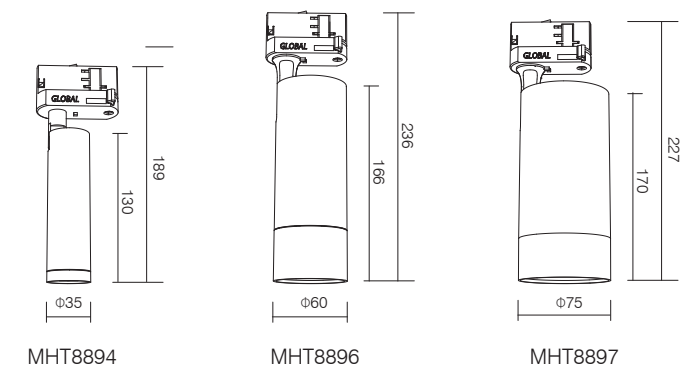
MHT8897			52°
h (m)	E0° (lx)	Φ (m)	
1	2831	0.98	
2	707.7	1.95	
3	314.5	2.93	
4	176.9	3.90	
5	113.2	4.88	



Light distribution

3000K CRI 90

MHT8897			19°
h (m)	E0° (lx)	Φ (m)	
1	12570	0.34	
2	3142	0.68	
3	1397	1.03	
4	785.6	1.37	
5	502.8	1.71	



Remark: ● Technical information may change, please refer to the datasheet.

Zoomer Series - Magnetic Light



Light distribution 3000K CRI 90

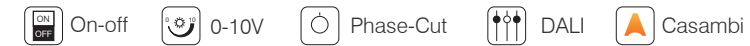
MHTA8863		30°	
h (m)	E0° (lx)	(lx)	Φ (m)
1	371.5		0.54
2	92.9		1.08
3	41.3		1.62
4	23.2		2.15
5	14.9		2.69



Light distribution 3000K CRI 90

MHTA8863		13°	
h (m)	E0° (lx)	(lx)	Φ (m)
1	851.2		0.22
2	212.8		0.44
3	98.6		0.67
4	53.2		0.89
5	34.1		1.11

Control Type



Luminaire specifications

Mode	Power	Lumen	CCT	BA.	Light Source	Driver	CRI
MHTA8863	5W	103-166	3000K	17-33°	Bridgelux	CHIPMAP	90
MHTA8864	10W	222-302	3000K	17-33°	Bridgelux	CHIPMAP	90
MHTA8865	5W	103-166	3000K	17-33°	Bridgelux	CHIPMAP	90
MHTA8866	10W	222-302	3000K	17-33°	Bridgelux	CHIPMAP	90

All values are measured at 48V.
Color temperature range 2700K/3000K/3500K/4000K/5000K/6000K/Tunable White.
Colour Rendering Index (CRI) CRI80, CRI90
Die-casting Aluminum

Frame Finishing color

- Black RAL9005
- Grey RAL9006
- White RAL9016

Light distribution 3000K CRI 90

MHTA8864		33°	
h (m)	E0° (lx)	(lx)	Φ (m)
1	1065		0.59
2	266.4		1.19
3	118.4		1.78
4	66.6		2.38
5	42.6		2.97



Light distribution 3000K CRI 90

MHTA8864		17°	
h (m)	E0° (lx)	(lx)	Φ (m)
1	1929		0.29
2	482.2		0.58
3	214.3		0.87
4	120.5		1.16
5	77.2		1.45

Light distribution 3000K CRI 90

MHTA8865		30°	
h (m)	E0° (lx)	(lx)	Φ (m)
1	371.5		0.54
2	92.9		1.08
3	41.3		1.62
4	23.2		2.15
5	14.9		2.69



Light distribution 3000K CRI 90

MHTA8865		13°	
h (m)	E0° (lx)	(lx)	Φ (m)
1	851.2		0.22
2	212.8		0.44
3	98.6		0.67
4	53.2		0.89
5	34.1		1.11

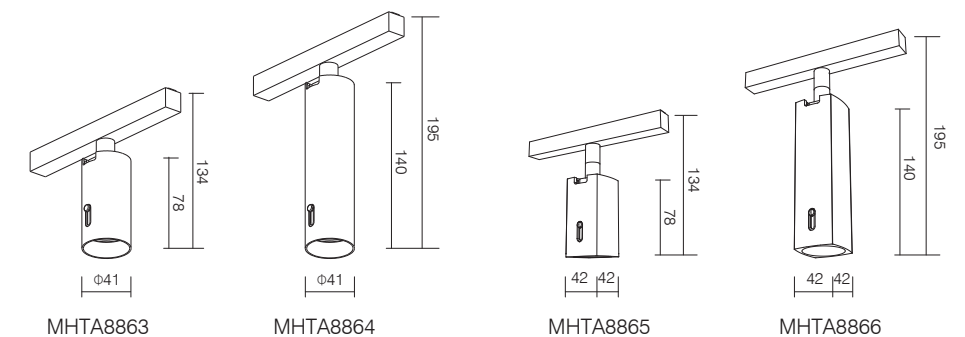
Light distribution 3000K CRI 90

MHTA8866		33°	
h (m)	E0° (lx)	(lx)	Φ (m)
1	1065		0.59
2	266.4		1.19
3	118.4		1.78
4	66.6		2.38
5	42.6		2.97



Light distribution 3000K CRI 90

MHTA8866		17°	
h (m)	E0° (lx)	(lx)	Φ (m)
1	1929		0.29
2	482.2		0.58
3	214.3		0.87
4	120.5		1.16
5	77.2		1.45



Remark: ● Technical information may change, please refer to the datasheet.