



MAGNETIC



# IBIS SERIES

The lamp cup of this lamp is sucked by a strong magnetic attraction, and the lamp cup can be removed. And this series of lamps can rotate on the lamp holder without any restrictions.



# Ibis Series - Surface Mounted Light



XD2151

### Light distribution

3000K CRI 90

XD2151		25°	
h (m)	E0° (lx)	Φ (m)	
1	1391	0.43	
2	347.9	0.87	
3	154.6	1.30	
4	87.0	1.74	
5	55.7	2.17	



XD2152

### Light distribution

3000K CRI 90

XD2152		38°	
h (m)	E0° (lx)	Φ (m)	
1	871.7	0.69	
2	217.9	1.37	
3	96.9	2.06	
4	54.5	2.74	
5	34.9	3.43	



WL628

### Light distribution

3000K CRI 90

WL628		25°	
h (m)	E0° (lx)	Φ (m)	
1	1391	0.43	
2	347.9	0.87	
3	154.6	1.30	
4	87.0	1.74	
5	55.7	2.17	



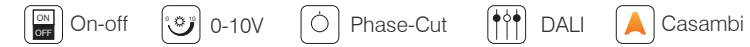
WL629

### Light distribution

3000K CRI 90

WL629		38°	
h (m)	E0° (lx)	Φ (m)	
1	871.7	0.69	
2	217.9	1.37	
3	96.9	2.06	
4	54.5	2.74	
5	34.9	3.43	

### Control Type



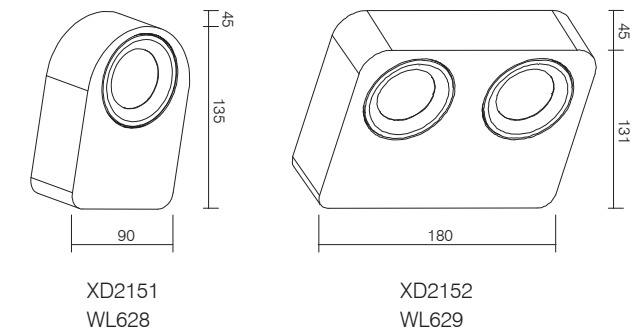
### Luminaire specifications

Mode	Power	Lumen	CCT	BA.	Light Source	Driver	CRI
XD2151	8W	800	3000K	15/25/38/60°	Bridgelux	LIFUD	90
XD2152	8W×2	800×2	3000K	15/25/38/60°	Bridgelux	AREEK	90
WL628	8W	800	3000K	15/25/38/60°	Bridgelux	LIFUD	90
WL629	8W×2	800×2	3000K	15/25/38/60°	Bridgelux	AREEK	90

All values are measured at 220V(+/- 10%).  
 Color temperature range 2700K/3000K/3500K/4000K/5000K/6000K/Tunable White.  
 Colour Rendering Index (CRI) CRI80, CRI90  
 Die-casting Aluminum

### Frame Finishing color

- Black RAL9005
- Grey RAL9006
- White RAL9016



Remark: ● Technical information may change, please refer to the datasheet.

# Ibis Series - Surface Mounted Light



XD2224

### Light distribution

3000K CRI 90

XD2224		40°	
h (m)	E0° (lx)	Φ (m)	
1	996.1	0.73	
2	249.0	1.47	
3	110.7	2.20	
4	62.3	2.94	
5	39.9	3.67	



XD2224-2

### Light distribution

3000K CRI 90

XD2224-2		37°	
h (m)	E0° (lx)	Φ (m)	
1	1459	0.68	
2	364.8	1.35	
3	162.1	2.03	
4	91.2	2.71	
5	58.4	3.39	



XD2284

### Light distribution

3000K CRI 90

XD2284		40°	
h (m)	E0° (lx)	Φ (m)	
1	996.1	0.73	
2	249.0	1.47	
3	110.7	2.20	
4	62.3	2.94	
5	39.9	3.67	



XD2284-2

### Light distribution

3000K CRI 90

XD2284-2		37°	
h (m)	E0° (lx)	Φ (m)	
1	1459	0.68	
2	364.8	1.35	
3	162.1	2.03	
4	91.2	2.71	
5	58.4	3.39	

### Control Type



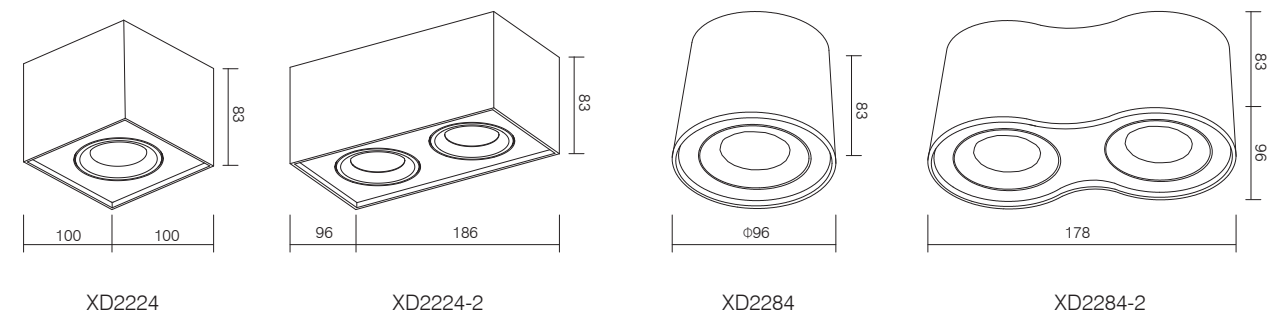
### Luminaire specifications

Mode	Power	Lumen	CCT	BA.	Light Source	Driver	CRI
XD2224	8W	800	3000K	15/25/38/60°	Bridgelux	Lifud	90
XD2224-2	8W×2	800×2	3000K	15/25/38/60°	Bridgelux	Lifud	90
XD2248	8W	800	3000K	15/25/38/60°	Bridgelux	Lifud	90
XD2248-2	8W×2	800×2	3000K	15/25/38/60°	Bridgelux	Lifud	90

All values are measured at 220V(+/- 10%).  
 Color temperature range 2700K/3000K/3500K/4000K/5000K/6000K/Tunable White.  
 Colour Rendering Index (CRI) CRI80, CRI90  
 Die-casting Aluminum

### Frame Finishing color

- Black RAL9005
- Grey RAL9006
- White RAL9016



Remark: ● Technical information may change, please refer to the datasheet.