



# DIY SERIES



# DIY Series - Recessed Downlight



KT6543

### Light distribution

3000K CRI 90

KT6543		22°
h (m)	E0° (lx)	Φ (m)
1	10070	0.40
2	2517	0.79
3	1119	1.19
4	629.4	1.58
5	402.8	1.98



KT6748

### Light distribution

3000K CRI 90

KT6748		28°
h (m)	E0° (lx)	Φ (m)
1	1740	0.49
2	435.0	0.99
3	193.3	1.48
4	108.8	1.97
5	69.6	2.47



KT6544

### Light distribution

3000K CRI 90

KT6544		23°
h (m)	E0° (lx)	Φ (m)
1	6919	0.40
2	1730	0.80
3	768.8	1.20
4	432.5	1.60
5	276.8	2.00



KT6747

### Light distribution

3000K CRI 90

KT6747		38°
h (m)	E0° (lx)	Φ (m)
1	1018	0.69
2	254.6	1.39
3	113.1	2.08
4	63.7	2.78
5	40.7	3.47

### Control Type



### Luminaire specifications

Mode	Power	Lumen	CCT	BA.	Cutout	Light Source	Driver	CRI
KT6543	30W	2550	3000K	15/24/36°	Ø115	CITIZEN	TRIDONIC	90
KT6748	10W	660	3000K	15/24/36°	Ø75	CITIZEN	TRIDONIC	90
KT6544	30W	2550	3000K	15/24/36°	Ø120	CITIZEN	TRIDONIC	90
KT6747	10W	660	3000K	15/24/36°	Ø80	CITIZEN	TRIDONIC	90

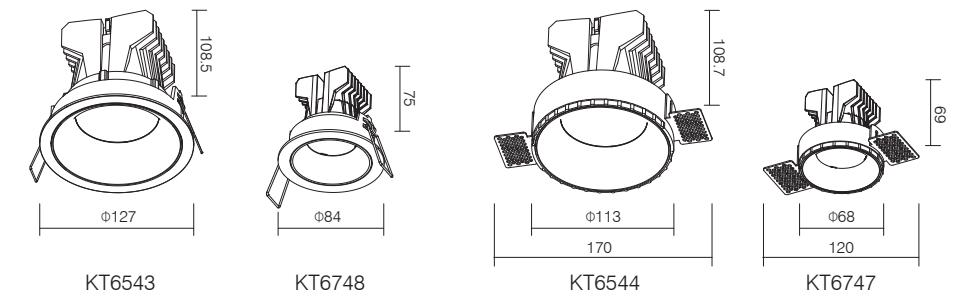
All values are measured at 220V(+/- 10%).  
Color temperature range 2700K/3000K/3500K/4000K/5000K/6000K/Tunable White.  
Colour Rendering Index (CRI) CRI80, CRI90  
Die-casting Aluminum

### Front Ring Finishing color



### Frame Finishing color

- Black RAL9005
- Grey RAL9006
- White RAL9016



Remark: ● Technical information may change, please refer to the datasheet.



# DIY OPTICS

## V Series

Reflector is the common version. Using Optosource reflectors available to meet scenes needed basically. And also it works with anti-glare. Lower cost to get spot lighting, better heat dissipation and display with anti-glare.

### Multiple Choices of Beam

20°, 30°, 40°, 60°

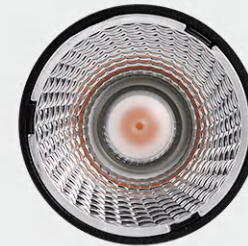


## Gemini Series

The highlights are reflector textured and deep anti-glare. It is excellent performance to apply to track light and downlight without anti-glare structure. Easy for assembly as the reflector diffuser and light guide are integrated by injection. Small hole design in center, and better for heat dissipation.

### Multiple Choices of Beam

10°, 15°, 24°, 36°, 50°



## Dark Series

To adopt deep glare technology of the luminaires is more popular in the residential and commercial lightings, which offers comfort to all who experience it. With microlite structure in the surface to reduce the back reflection of the lens, there by reducing the background light.

### Multiple Choices of Beam

10°, 15°, 24°, 36°, 50°



## Glareless Series

The professional design and the PC materials of the optics can be ensured glareless performance and light output. Ideal for lighting environments, the glareless series is your best choice.

### Multiple Choices of Beam

10°, 15°, 24°, 36°, 50°



## Soft-light Series

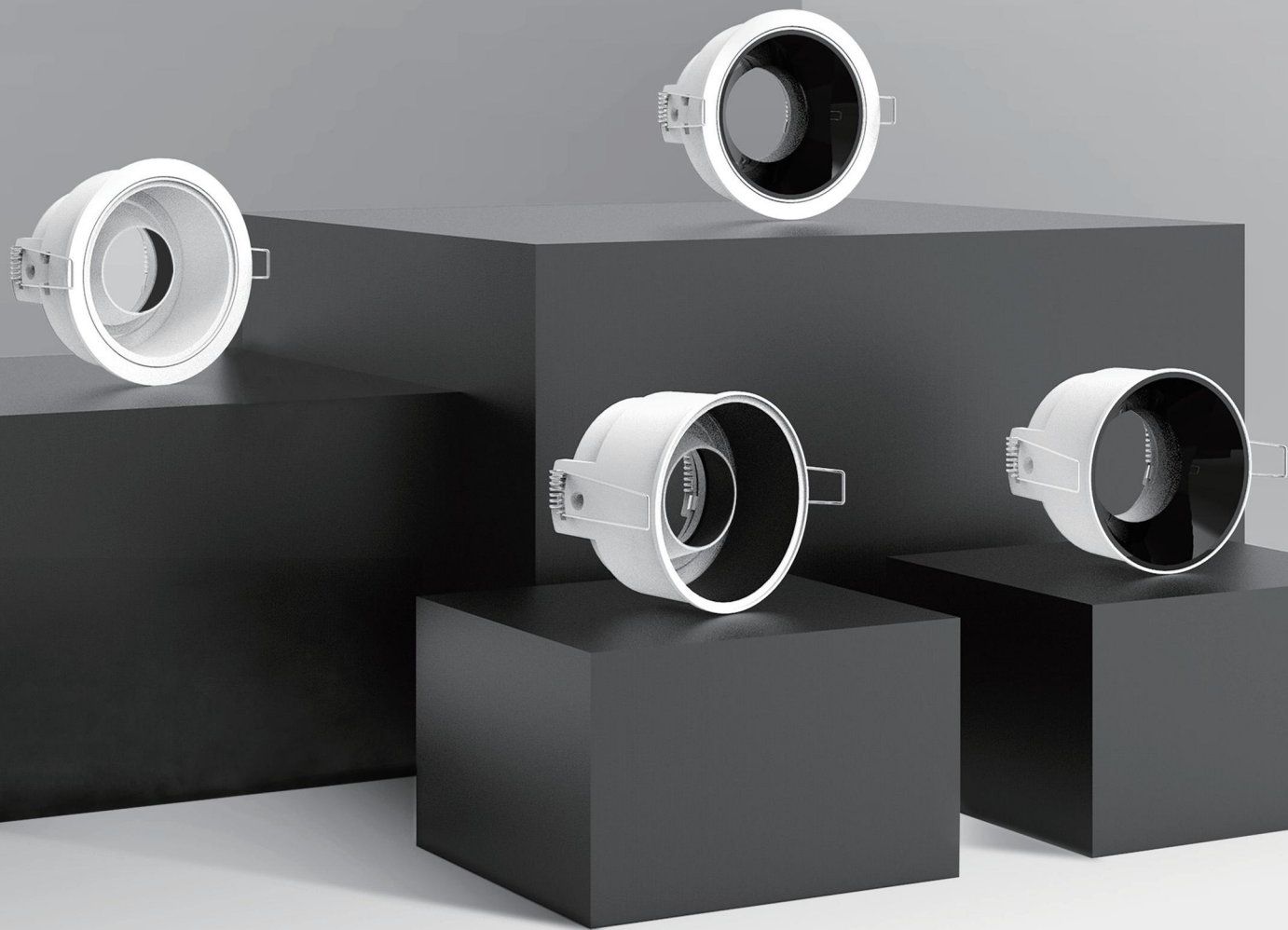
It is the first choice for color temperature changing of light source in the project solution. To match with deep anti-glare decorative ring, the light spot will be cut off, excessively uniform and clean. While changing the color temperature, the shape and size if the light spot do not change.

### Multiple Choices of Beam

10°, 15°, 24°, 36°, 50°



# DIY SERIES



# DIY Series - Recessed Downlight



KT7258

### Light distribution

3000K CRI 90

KT7258		22°
h (m)	E0° (lx)	Φ (m)
1	1420	0.39
2	355.1	0.77
3	157.8	1.16
4	88.8	1.55
5	56.8	1.93



KT7259

### Light distribution

3000K CRI 90

KT7259		25°
h (m)	E0° (lx)	Φ (m)
1	1866	0.43
2	466.6	0.87
3	207.4	1.30
4	74.7	2.17
5	51.8	2.61



KT7287

### Light distribution

3000K CRI 90

KT7287		25°
h (m)	E0° (lx)	Φ (m)
1	1878	0.43
2	469.4	0.87
3	208.6	1.30
4	117.4	1.74
5	75.1	2.17



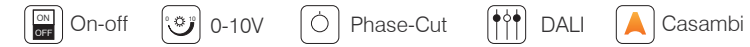
KT7289

### Light distribution

3000K CRI 90

KT7289		22°
h (m)	E0° (lx)	Φ (m)
1	1414	0.39
2	353.5	0.79
3	157.1	1.18
4	88.4	1.57
5	56.6	1.97

### Control Type



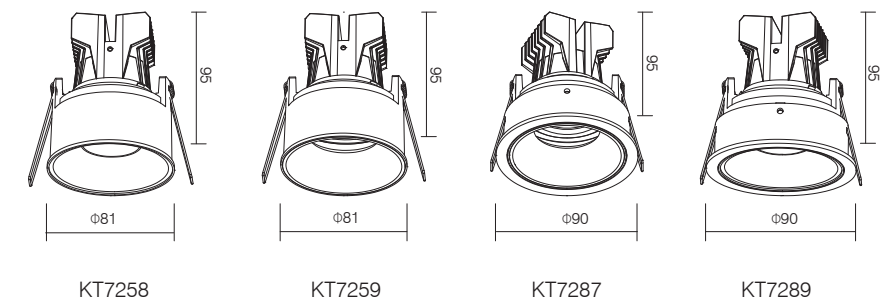
### Luminaire specifications

Mode	Power	Lumen	CCT	BA.	Cutout	Light Source	Driver	CRI
KT7258	12W	960	3000K	10/15/24/36/50°	Ø75	Bridgelux	Lifud	90
KT7259	12W	960	3000K	10/15/24/36/50°	Ø75	Bridgelux	Lifud	90
KT7287	12W	960	3000K	10/15/24/36/50°	Ø80	Bridgelux	Lifud	90
KT7289	12W	960	3000K	10/15/24/36/50°	Ø80	Bridgelux	Lifud	90

All values are measured at 220V(+/- 10%).  
 Color temperature range 2700K/3000K/3500K/4000K/5000K/6000K/Tunable White.  
 Colour Rendering Index (CRI) CRI80, CRI90  
 Die-casting Aluminum

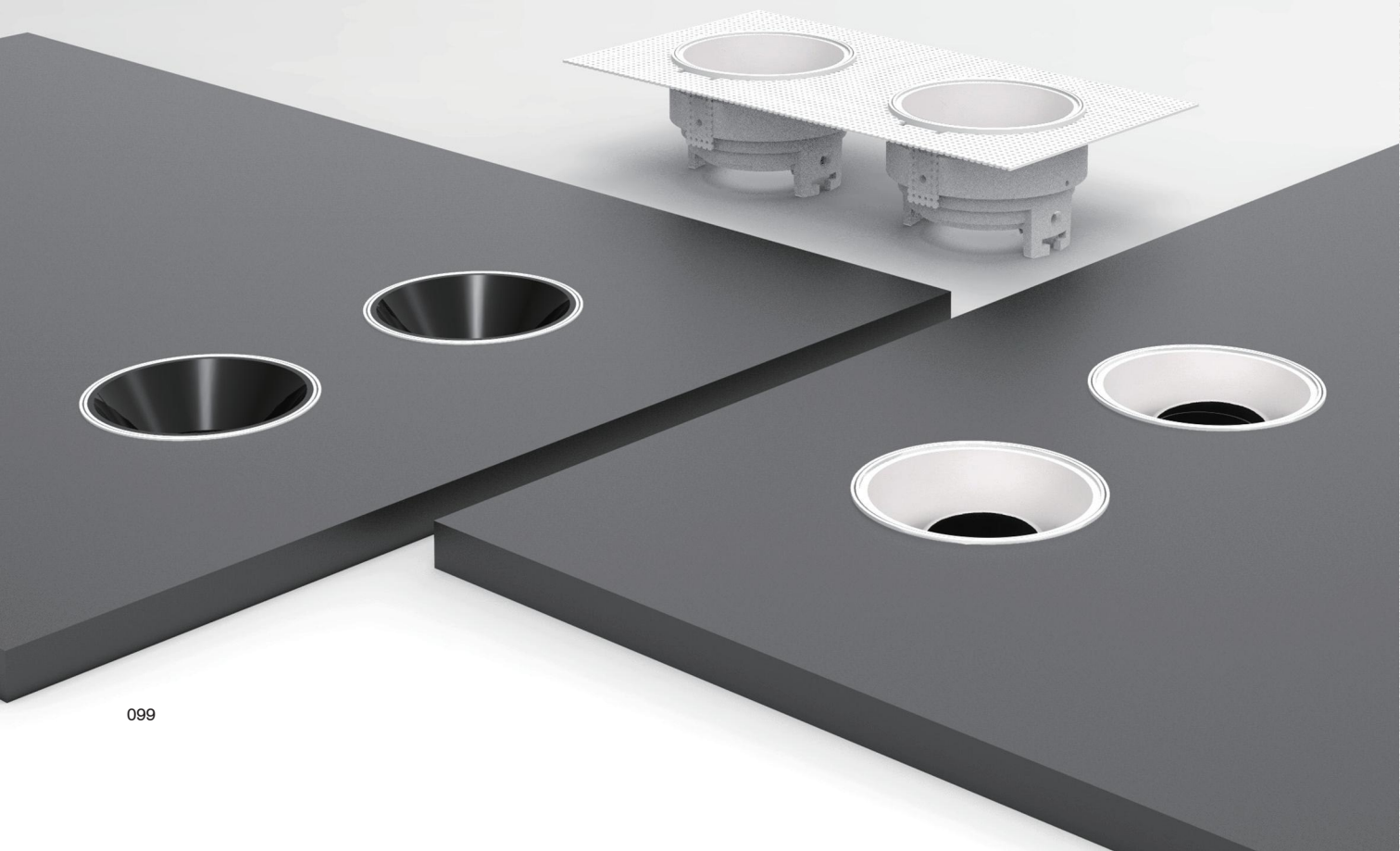
### Frame Finishing color

- Black RAL9005
- Grey RAL9006
- White RAL9016



Remark: ● Technical information may change, please refer to the datasheet.

# DIY SERIES



# DIY Series - Recessed Downlight



KT7281-2

### Light distribution

3000K CRI 90

KT7281-2			24°
h (m)	E0° (lx)	Φ (m)	
1	3654	0.43	
2	913.5	0.87	
3	406.0	1.30	
4	228.4	1.74	
5	146.2	2.17	



KT7282-2

### Light distribution

3000K CRI 90

KT7282-2			23°
h (m)	E0° (lx)	Φ (m)	
1	2636	0.41	
2	659.0	0.82	
3	292.9	1.22	
4	164.8	1.63	
5	105.4	2.04	



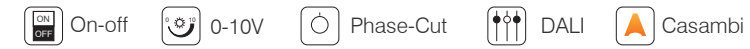
KT7283-2

### Light distribution

3000K CRI 90

KT7283-2			28°
h (m)	E0° (lx)	Φ (m)	
1	3790	0.50	
2	947.6	0.99	
3	421.1	1.49	
4	236.9	1.99	
5	151.6	2.49	

### Control Type



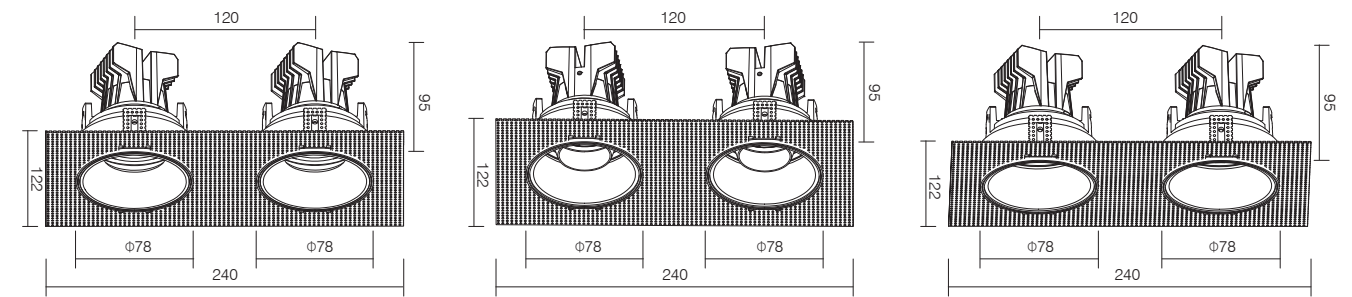
### Luminaire specifications

Mode	Power	Lumen	CCT	BA.	Cutout	Light Source	Driver	CRI
KT7281-2	24W	1860	3000K	10/15/24/36/50°	210x90	Bridgelux	Lifud	90
KT7282-2	24W	1860	3000K	10/15/24/36/50°	210x90	Bridgelux	Lifud	90
KT7283-2	24W	1860	3000K	10/15/24/36/50°	210x90	Bridgelux	Lifud	90

All values are measured at 220V(+/- 10%).  
 Color temperature range 2700K/3000K/3500K/4000K/5000K/6000K/Tunable White.  
 Colour Rendering Index (CRI) CRI80, CRI90  
 Die-casting Aluminum

### Frame Finishing color

- Black RAL9005
- Grey RAL9006
- White RAL9016



KT7281-2

KT7282-2

KT7283-2

Remark: ● Technical information may change, please refer to the datasheet.

# DIY SERIES





# DIY Series - Recessed Downlight



KT7284-2

### Light distribution

3000K CRI 90

KT7284-2			25°
h (m)	E0° (lx)	Φ (m)	
1	3668	0.43	
2	917.0	0.87	
3	407.6	1.30	
4	229.3	1.74	
5	146.7	2.17	



KT7294-1

### Light distribution

3000K CRI 90

KT7294-1			24°
h (m)	E0° (lx)	Φ (m)	
1	1860	0.43	
2	465.0	0.85	
3	206.7	1.28	
4	116.3	1.71	
5	74.4	2.13	



KT7285-2

### Light distribution

3000K CRI 90

KT7285-2			23°
h (m)	E0° (lx)	Φ (m)	
1	3144	0.41	
2	786.0	0.82	
3	349.3	1.22	
4	196.5	1.63	
5	125.8	2.04	



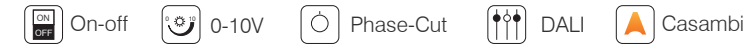
KT7295-1

### Light distribution

3000K CRI 90

KT7295-1			23°
h (m)	E0° (lx)	Φ (m)	
1	1619	0.41	
2	404.7	0.82	
3	179.9	1.24	
4	101.2	1.65	
5	64.8	2.06	

### Control Type



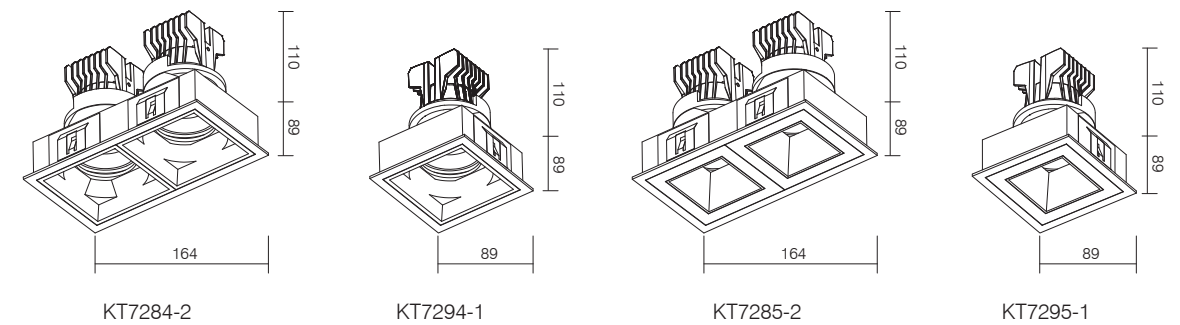
### Luminaire specifications

Mode	Power	Lumen	CCT	BA.	Cutout	Light Source	Driver	CRI
KT7284-2	24W	1860	3000K	10/15/24/36/50°	155x80	Bridgelux	Lifud	90
KT7294-1	12W	960	3000K	10/15/24/36/50°	85x85	Bridgelux	Lifud	90
KT7285-2	24W	1860	3000K	10/15/24/36/50°	155x80	Bridgelux	Lifud	90
KT7295-1	12W	960	3000K	10/15/24/36/50°	85x85	Bridgelux	Lifud	90

All values are measured at 220V(+/- 10%).  
Color temperature range 2700K/3000K/3500K/4000K/5000K/6000K/Tunable White.  
Colour Rendering Index (CRI) CRI80, CRI90  
Die-casting Aluminum

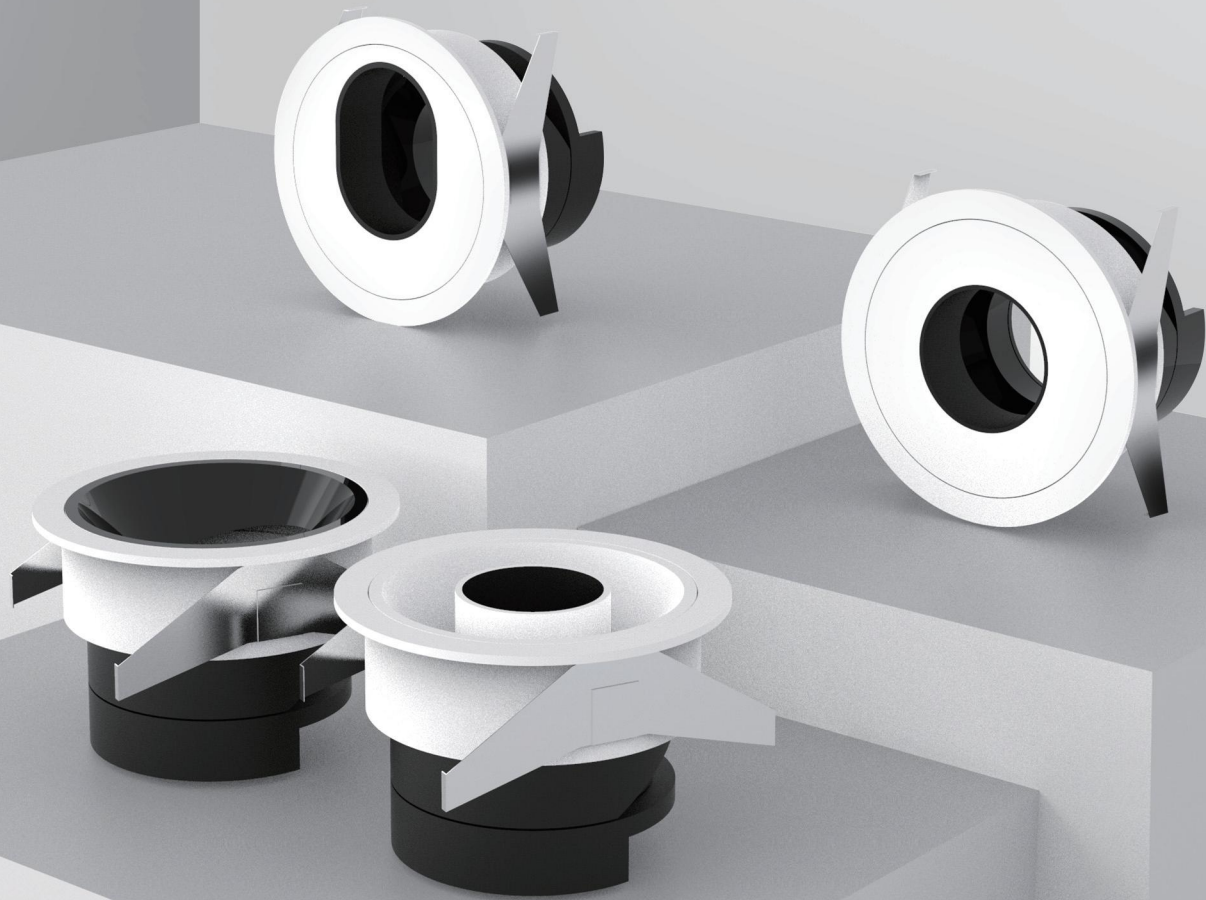
### Frame Finishing color

- Black RAL9005
- Grey RAL9006
- White RAL9016



Remark: ● Technical information may change, please refer to the datasheet.

# DIY SERIES



# DIY Series - Recessed Downlight



KT7290

### Light distribution

3000K CRI 90

KT7290		23°
h (m)	E0° (lx)	Φ (m)
1	1795	0.40
2	448.6	0.81
3	199.4	1.21
4	112.2	1.62
5	71.8	2.02



KT7291

### Light distribution

3000K CRI 90

KT7291		19°
h (m)	E0° (lx)	Φ (m)
1	1556	0.33
2	389.0	0.65
3	172.9	0.98
4	97.2	1.31
5	62.2	1.63



KT7292

### Light distribution

3000K CRI 90

KT7292		20°
h (m)	E0° (lx)	Φ (m)
1	1601	0.35
2	400.3	0.70
3	177.9	1.04
4	100.1	1.39
5	64.1	1.74



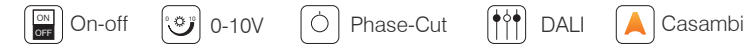
KT7293

### Light distribution

3000K CRI 90

KT7293		24°
h (m)	E0° (lx)	Φ (m)
1	1019	0.42
2	254.7	0.84
3	113.2	1.27
4	63.7	1.69
5	40.8	2.11

### Control Type



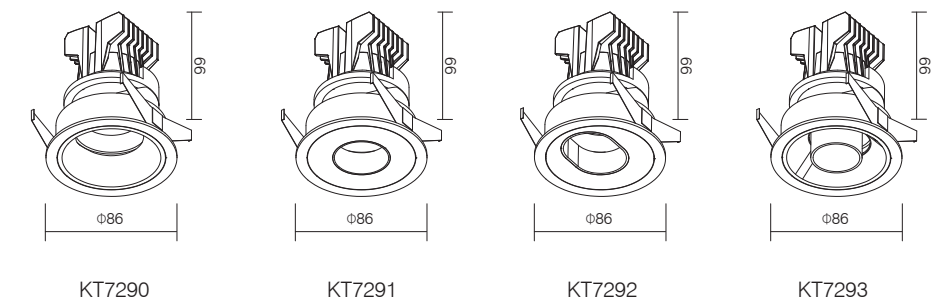
### Luminaire specifications

Mode	Power	Lumen	CCT	BA.	Cutout	Light Source	Driver	CRI
KT7290	12W	960	3000K	10/15/24/36/50°	Ø75	Bridgelux	Lifud	90
KT7291	12W	960	3000K	10/15/24/36/50°	Ø75	Bridgelux	Lifud	90
KT7292	12W	960	3000K	10/15/24/36/50°	Ø75	Bridgelux	Lifud	90
KT7293	12W	960	3000K	10/15/24/36/50°	Ø75	Bridgelux	Lifud	90

All values are measured at 220V(+/- 10%).  
 Color temperature range 2700K/3000K/3500K/4000K/5000K/6000K/Tunable White.  
 Colour Rendering Index (CRI) CRI80, CRI90  
 Die-casting Aluminum

### Frame Finishing color

- Black RAL9005
- Grey RAL9006
- White RAL9016



Remark: ● Technical information may change, please refer to the datasheet.