

**DECORATIVE  
LAMP**

**DECORATIVE  
LAMP**

Pendant lamp  
Wall light  
Ceiling surface

**KETAI**



JOIN US

**KETAI**

# TOGETHER WE CREATE THE LIGHT!



## ABOUT US

Founded in 1999, Ketai Industries Lighting Co., Ltd. has been focusing on development and production of professional lighting products with big portfolio of interior and exterior lighting fixtures, including traditional lighting, LED downlights, LED wall lights, LED track lights, LED pendant lights, LED magnetic lights and LED garden lights. which have been widely used into retail, residential and commercial lighting applications, acrossing 65 countries and regions.

With extensive R&D and manufacturing experience, Ketai has formed up a very efficiency supply chain ecosystem with big capacity and capability. Our factory covers an area of 40000 square meters, including the accredited test laboratory, die-casting workshop, stamping workshop, powder coating workshop, and +4 assembly lines.

Create and develop the everlasting low carbon green economy is the essential responsibility that KETAI is always pursuing with its high capability in quality, innovation, credit, service into its business management philosophy, to achieve greater development for enterprise and business partners.

# THINGS TO LOOK FOR INDEX



**01**

KSL1000  
KSL1001  
KSL1002



**05**

KSL1004



**09**

KSL1007  
KSL1008  
KSL1009



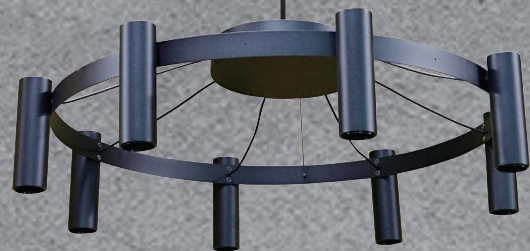
**15**

KSL1022



**19**

KSL1026



**11**

KSL1012



**21**

KSL1025-3  
KSL1025-5



**25**

KSL1035



**29**

KSL1052  
KSL1053  
KSL1054



**33**

KSL1013  
KSL1013-3A  
KSL1014  
KSL1014-3A  
KSL1015  
KSL1015-3A



**37**

SL408  
SL408A  
SL408B  
SL409  
SL409A  
SL409B  
SL410  
SL410A  
SL410B



**39**

SL386  
SL389



**43**

SL372  
SL373  
SL374



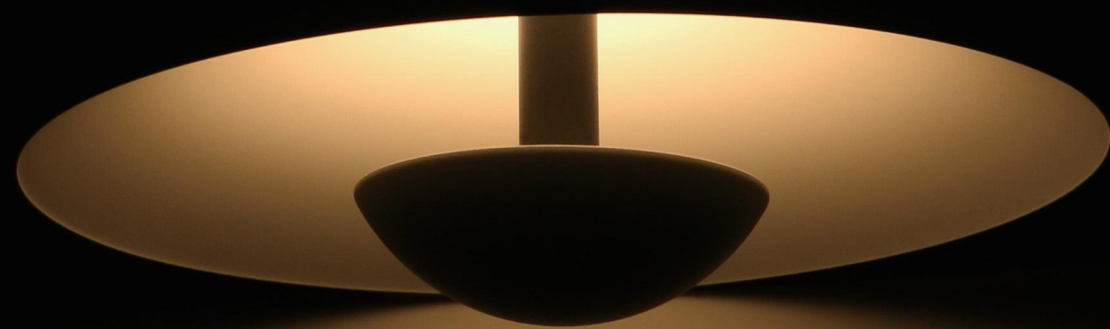
**43**

SL420  
SL421  
SL422

With great elegance and soft lighting atmosphere, WING series pendant brings you warm ambient with precise 138° up-spreading and glare free lighting distribution, different textile textured metal shade combines with black and white light cup also creates artistic aesthetics, it can emerge easily and smoothly into your architecture with full design integrity.

WING is ideal for coffee shop, cafeteria, dining room, bed light. Just add one metal sleeve, it also can be your decorative wall lamp.

# DECORATIVE LAMP



# KETAI Decorative Lamp

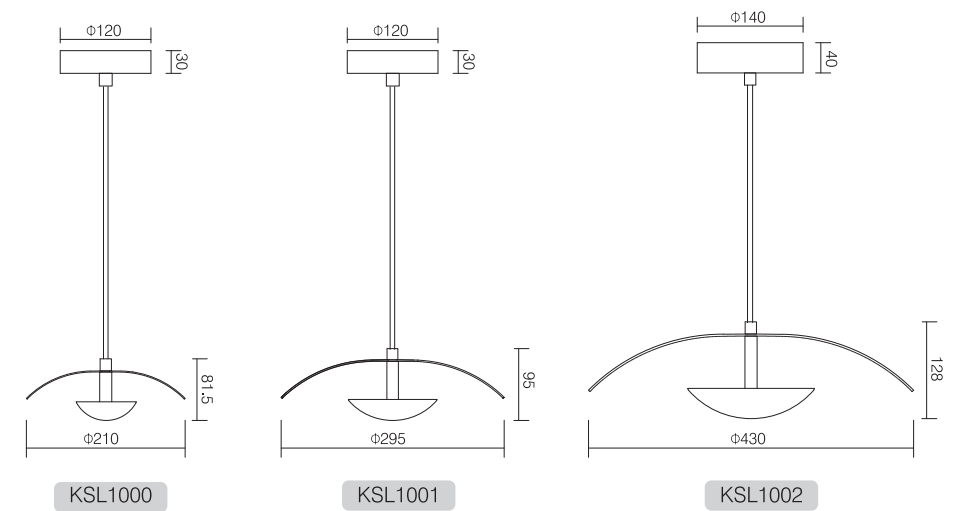


Mode	Power	Lumen	CCT	BA.	Light Source	Driver	CRI
KSL1000	6W	324	3000K	138.0°	SMD 2835	KGP	>80
KSL1001	12W	728	3000K	139.4°	SMD 2835	KGP	>80
KSL1002	18W	1060	3000K	139.8°	SMD 2835	OSRAM	>80


Color temperature range [2700K~6000K]  
Aluminum

### ALWAYS USE

-  Wood+Black
-  Textile+Black
-  Wood+White
-  Textile+White



Remark:  
● Product size excludes the size of surface plate and pendant line.  
● Technical information may change, please refer to the datasheet.



Der is a ceiling lamp, which combines the natural warm appearance of wood with the technical refinement of the metal wrap. Thanks to the high quality diffuser, the light is very friendly and helps to improve the comfort in the environment.

We have two options for installation:  
Pendant and surface mounting.

Der lamp is ideal for bedroom lighting.

# DECORATIVE LAMP

05



06

# KETAI Decorative Lamp




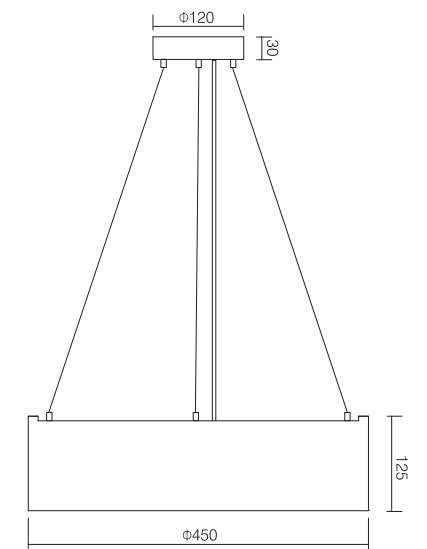
KSL1004

Mode	Power	Lumen	CCT	BA.	Light Source	Driver	CRI
KSL1004	40W	3026	3000K	104.0°	SMD 2835	OSRAM	>80

Color temperature range [2700K~6000K]  
Aluminum

**ALWAYS USE**

-  Wood+Black
-  Textile+Black
-  Wood+White
-  Textile+White



KSL1004

Remark:  
● Product size excludes the size of surface plate and pendant line.  
● Technical information may change, please refer to the datasheet.

# KETAI Decorative Lamp



KSL1008



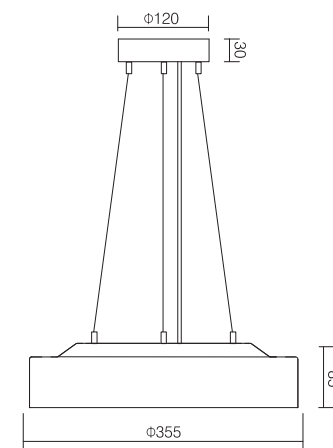
KSL1009

Mode	Power	Lumen	CCT	BA.	Light Source	Driver	CRI
KSL1007	20W	1300	3000K	108°	SMD 2835	AREEK	>80
KSL1008	24W	1773	3000K	108°	SMD 2835	KGP	>80
KSL1009	30W	2500	3000K	108°	SMD 2835	KGP	>80

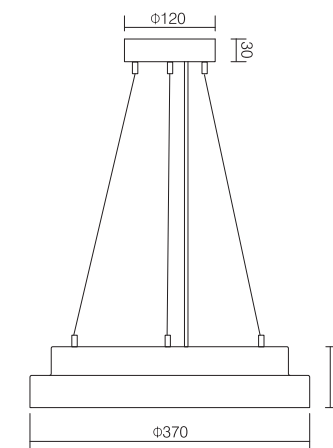
Color temperature range [2700K~6000K]  
Aluminum

### ALWAYS USE

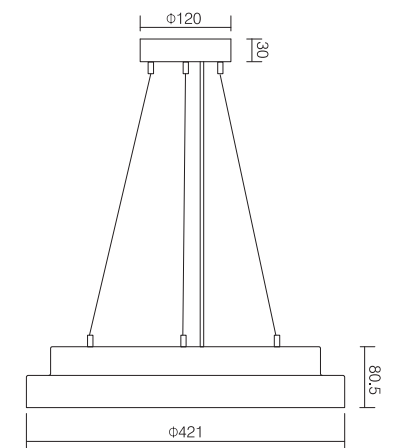
-  Wood+Black
-  Textile+Black
-  Wood+White
-  Textile+White



KSL1007




KSL1008



KSL1009

Remark:  
● Product size excludes the size of surface plate and pendant line.  
● Technical information may change, please refer to the datasheet.





Joy is a kind of classic decorative pendant lamps.  
Thanks to our precise craftsmanship so we can have a beautiful finishing with the slim lighting fixture.  
We can customize the number of lighting lanterns to achieve your desired illumination.

Joy lamp is ideal for bedroom, dining room and living room.

# DECORATIVE LAMP



# KETAI Decorative Lamp



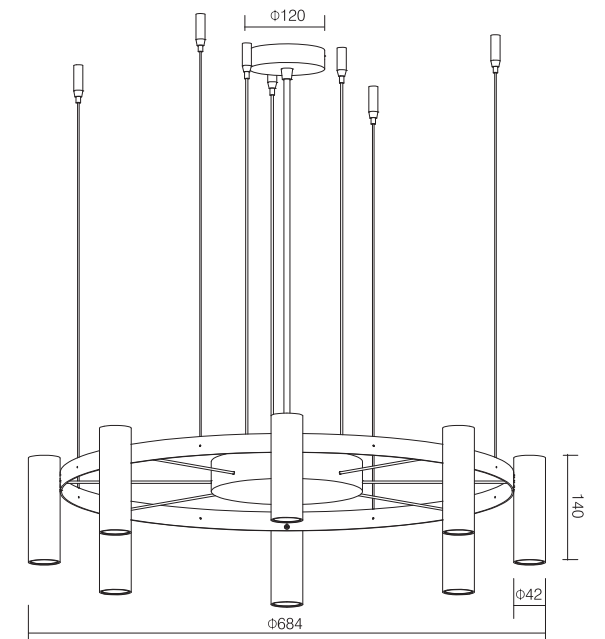
KSL1012

Mode	Power	Lumen	CCT	BA.	Light Source	Driver	CRI
KSL1012	80W	324	3000K	138.0°	Bridgelux	Tridonic	>80

Color temperature range [2700K~6000K]  
Aluminum

**ALWAYS USE**

- Black
- White
- Grey



KSL1012

Remark:  
● Product size excludes the size of surface plate and pendant line.  
● Technical information may change, please refer to the datasheet.

# DECORATIVE LAMP



VIO has a significant highlight which is the material. Except the metal as usual, the plates can be made of sound-absorbable material, and dozens of colours are available for this sound-absorbable material.

VIO lamp is ideal for bedroom, dining room. We strongly recommend for the public environment. You are welcome to contact us for the report of sound-absorbable test.



# KETAI Decorative Lamp



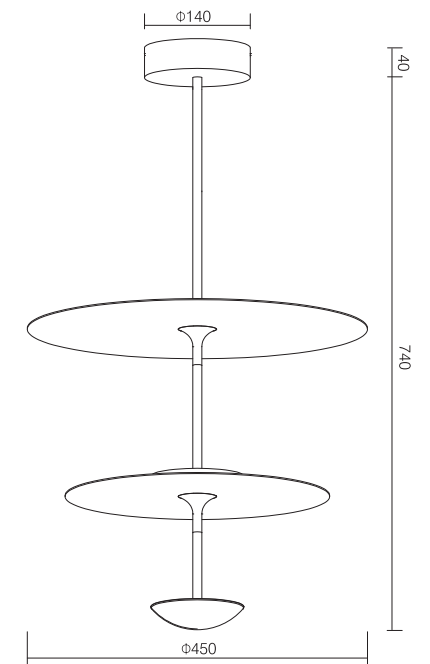
KSL1022

Mode	Power	Lumen	CCT	BA.	Light Source	Driver	CRI
KSL1022	35W	1240	3000K		SMD 2835	Tridonic	>80

Color temperature range [2700K~6000K]  
Aluminum

**ALWAYS USE**

- Black
- White
- Grey



KSL1022

Remark:  
● Product size excludes the size of surface plate and pendant line.  
● Technical information may change, please refer to the datasheet.

# KETAI Decorative Lamp



Mode	Power	Lumen	CCT	BA.	Light Source	Driver	CRI
KSL1026	35W	985	3000K		SMD 2835	Tridonic	>80

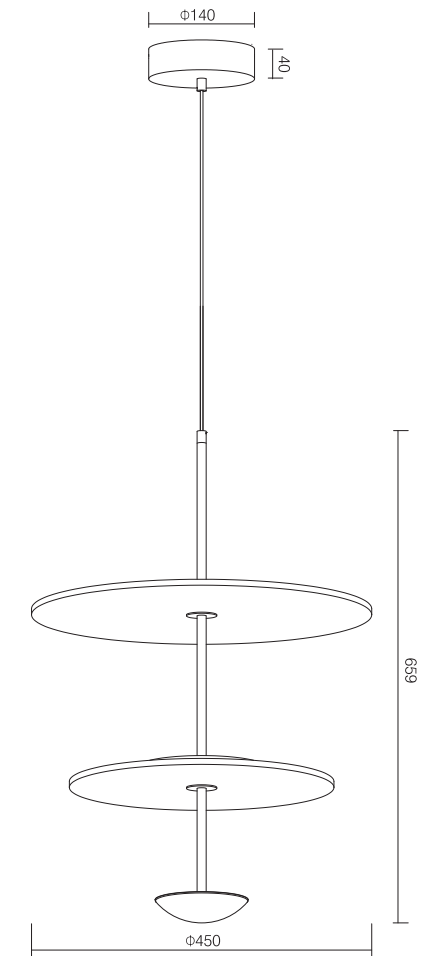
Color temperature range [2700K~6000K]  
Aluminum, iron, sound insulation cotton

### ALWAYS USE

-  white+african grey
-  white+aqua blue
-  white+violets
-  white+purple
-  white+tangerine
-  white+fruit green
-  white+water ash



KSL1026



KSL1026

Remark:  
● Product size excludes the size of surface plate and pendant line.  
● Technical information may change, please refer to the datasheet.



GALAXY is good in custom demands.  
They can have Lens or reflector, LED COB or bulbs, 1-5pcs of lanterns.  
all of them can make good performance  
in lighting distribution and illumination.  
These design orientations make the light be a part of comfortable life.

GALAXY is ideal for dining room, reading light, bedlight.

# DECORATIVE LAMP



# KETAI Decorative Lamp



KSL1025-3



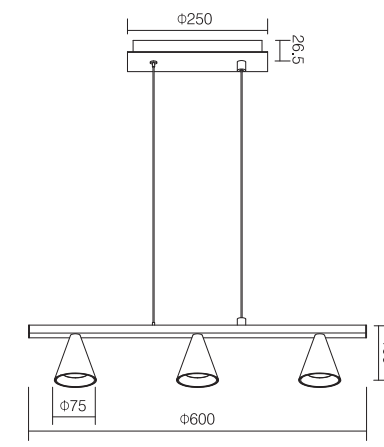
KSL1025-5

Mode	Power	Lumen	CCT	BA.	Light Source	Driver	CRI
KSL1025-3	15W	1579	3000K	15/23/38/45/60°	Bridgelux	OSRAM	>80
KSL1025-5	24W	2291	3000K	15/23/38/45/60°	Bridgelux	KGP	>80

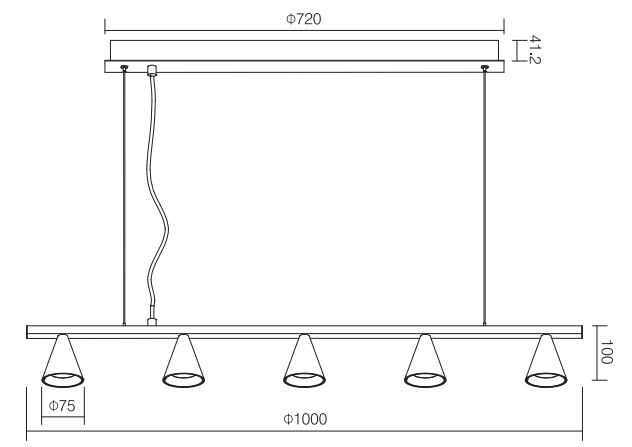
Color temperature range [2700K~6000K]  
Aluminum

**ALWAYS USE**

- Black
- White
- Grey



KSL1025-3



KSL1025-5

Remark:  
● Product size excludes the size of surface plate and pendant line.  
● Technical information may change, please refer to the datasheet.

SIB has a small and exquisite appearance. Cozy lighting makes an important part of comfortable life. LED COB and bulbs can be alternative as the lighting source

SIB lamp is ideal for dining room, decorative lighting, bedlight .

# DECORATIVE LAMP





# KETAI Decorative Lamp



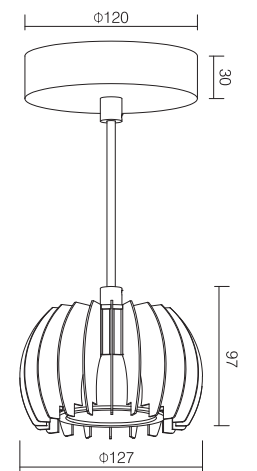
KSL1035

Mode	Power	Lumen	CCT	BA.	Light Source	Driver	CRI
KSL1035	8W	717	3000K	15/24/38°	Bridgelux	KGP	>80

Color temperature range [2700K~6000K]  
Aluminum

**ALWAYS USE**

- Black
- White
- Grey



KSL1035

Remark:  
● Product size excludes the size of surface plate and pendant line.  
● Technical information may change, please refer to the datasheet.

# DECORATIVE LAMP

Bin has glass cup and metal socket, and the colour of glass cup has a gradient changing, which is the highlight of fasion design.

LED COB and bulbs can be alternative as the lighting source

Bin lamp is ideal for dining room, decorative lighting, bedlight .



# KETAI Decorative Lamp



KSL1052



KSL1053



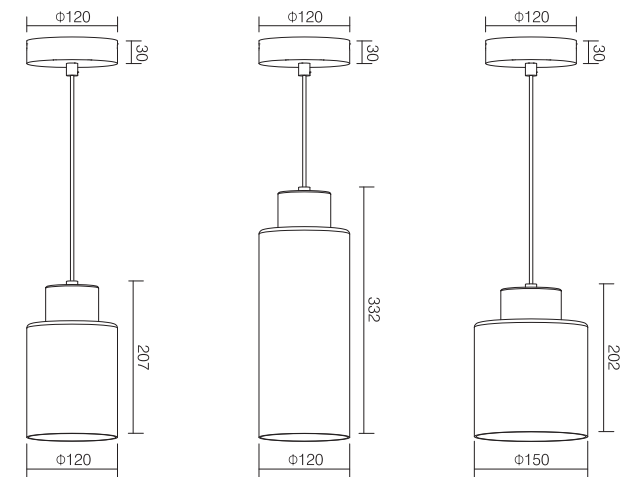
KSL1054

Mode	Power	Lumen	CCT	BA.	Light Source	Driver	CRI
KSL1052	8W	396	3000K	15/24/38°	Bridgelux	LIFUD	>80
KSL1053	8W	322	3000K	15/24/38°	Bridgelux	LIFUD	>80
KSL1054	8W	421	3000K	15/24/38°	Bridgelux	LIFUD	>80

Color temperature range [2700K~6000K]  
Aluminum

**ALWAYS USE**

■ wood+black



KSL1052

KSL1053

KSL1054

Remark:  
● Product size excludes the size of surface plate and pendant line.  
● Technical information may change, please refer to the datasheet.



DOT G1 has excellent appearance and looks very graceful. DOT G2 has a slight difference in the pendant method with DOT G1. It also has excellent appearance and looks very graceful. Furthermore, it has good performance in illumination. Lens and reflector both are available for customers' different demands.

DOT lamp is ideal for bedlight, dining room, reading room.

# DECORATIVE LAMP



# KETAI Decorative Lamp

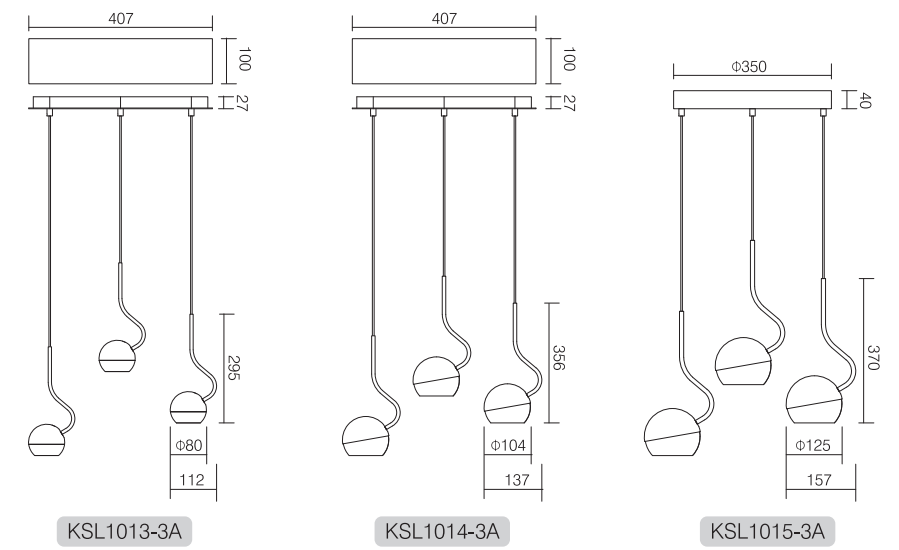
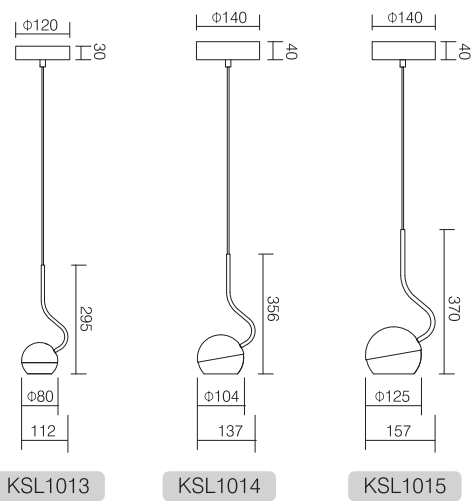


Mode	Power	Lumen	CCT	BA.	Light Source	Driver	CRI
KSL1013	10W	790	3000K	23°	Bridgelux	KGP	>80
KSL1013-3A	3×10W	3×790	3000K	23°	Bridgelux	KGP	>80
KSL1014	15W	1226	3000K	23°	Bridgelux	KGP	>80
KSL1014-3A	3×15W	3×1226	3000K	23°	Bridgelux	KGP	>80
KSL1015	20W	1722	3000K	23°	Bridgelux	KGP	>80
KSL1015-3A	3×20W	3×1722	3000K	23°	Bridgelux	KGP	>80

Color temperature range [2700K~6000K]  
Aluminum, iron

**ALWAYS USE**

- Black
- White
- Golden



Remark:  
● Product size excludes the size of surface plate and pendant line.  
● Technical information may change, please refer to the datasheet.

# KETAI Decorative Lamp



SL409  
SL409A  
SL409B

SL408  
SL408A  
SL408B

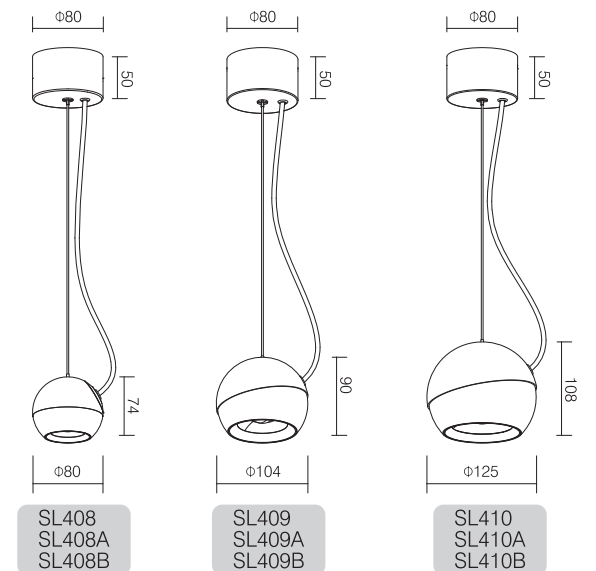
SL410  
SL410A  
SL410B

Mode	Power	Lumen	CCT	BA.	Light Source	Driver	CRI
SL408	10W	857	3000K	Tehao 12/24/36/60°	Bridgelux/Citizen	KGP/LIFUD/OSRAM	>80
SL408A	10W	791	3000K	Gemini 15/24/36/50°	Bridgelux/Citizen	KGP/LIFUD/OSRAM	>80
SL408B	10W	921	3000K	Dark 15/24/36/50°	Bridgelux/Citizen	KGP/LIFUD/OSRAM	>80
SL409	20W	2090	3000K	Tehao 12/24/36/60°	Bridgelux/Citizen	KGP/LIFUD/OSRAM	>80
SL409A	20W	1601	3000K	Gemini 15/24/36/50°	Bridgelux/Citizen	KGP/LIFUD/OSRAM	>80
SL409B	20W	2010	3000K	Dark 15/24/36/50°	Bridgelux/Citizen	KGP/LIFUD/OSRAM	>80
SL410	30W	2616	3000K	Tehao 12/24/36/60°	Bridgelux/Citizen	KGP/LIFUD/OSRAM	>80
SL410A	30W	2406	3000K	Gemini 15/24/36/50°	Bridgelux/Citizen	KGP/LIFUD/OSRAM	>80
SL410B	30W	2681	3000K	Dark 15/24/36/50°	Bridgelux/Citizen	KGP/LIFUD/OSRAM	>80

Color temperature range [2700K~6000K]  
Aluminum, iron

### ALWAYS USE

- Black
- White
- Golden



SL408  
SL408A  
SL408B

SL409  
SL409A  
SL409B

SL410  
SL410A  
SL410B

Remark:  
● Product size excludes the size of surface plate and pendant line.  
● Technical information may change, please refer to the datasheet.



PAN is changable for pendant or ceiling or surface mounted demand.  
It has a slim shape,  
but the inner lens is good in reducing the glare very well,  
and the light distribution is harmonious.

PAN is ideal for dining room, decorative lighting, bedlight, reading room .

# DECORATIVE LAMP



# KETAI Decorative Lamp



SL386



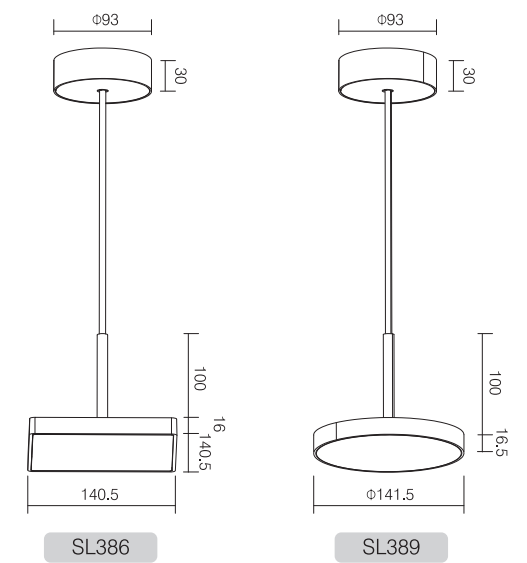
SL389

Mode	Power	Lumen	CCT	BA.	Light Source	Driver	CRI
SL386	12W	1350	3000K	15/24/36°	Bridgelux	KGP	>80
SL389	12W	1350	3000K	15/24/36°	Bridgelux	KGP	>80

Color temperature range [2700K~6000K]  
Aluminum

**ALWAYS USE**

- Black
- White



Remark:  
● Product size excludes the size of surface plate and pendant line.  
● Technical information may change, please refer to the datasheet.



# KETAI Decorative Lamp

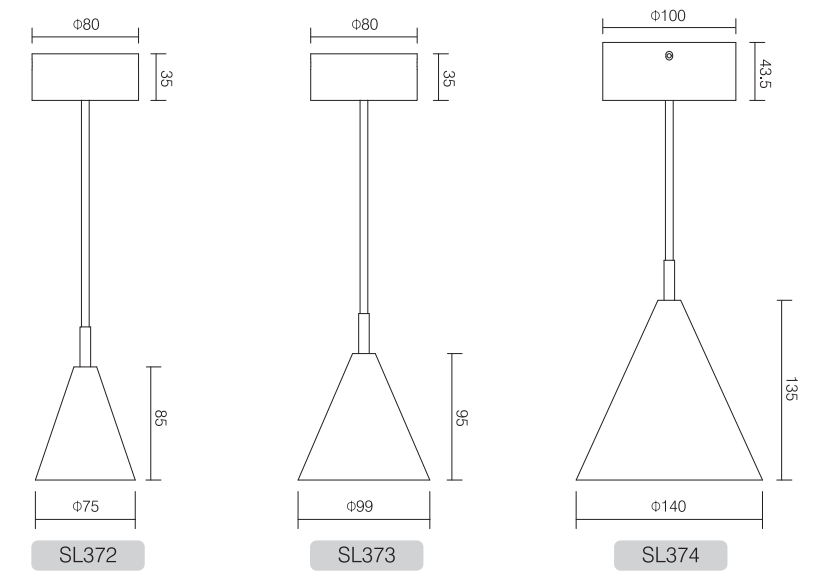


Mode	Power	Lumen	CCT	BA.	Light Source	Driver	CRI
SL372	6W	471	3000K	15/23/38/45/60°	Bridgelux	KGP	> 80
SL373	12W	788	3000K	15/23/38/45/60°	Bridgelux	KGP	> 80
SL374	20W	1495	3000K	15/23/38/45/60°	Bridgelux	LIFUD	> 80

Color temperature range [2700K~6000K]  
Aluminum

#### ALWAYS USE

- Black
- White
- Grey



Remark:  
● Product size excludes the size of surface plate and pendant line.  
● Technical information may change, please refer to the datasheet.

# KETAI Decorative Lamp



SL420

SL421



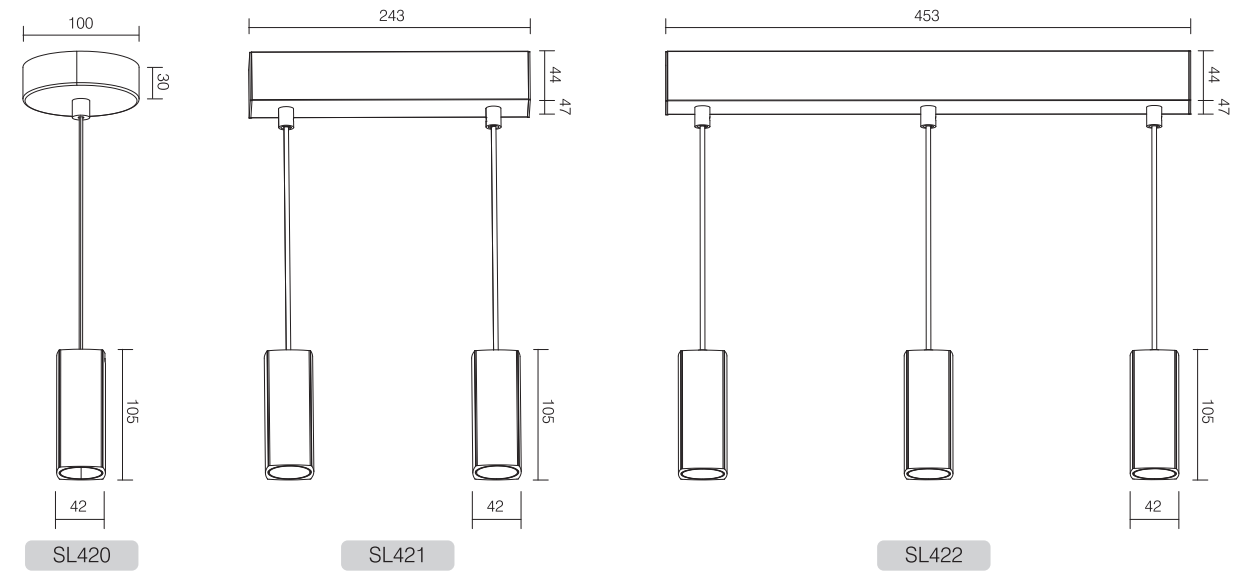
SL422

Mode	Power	Lumen	CCT	BA.	Light Source	Driver	CRI
SL420	8W	386	3000K	19°	Bridgelux	KGP	> 80
SL421	2×8W	2×386	3000K	19°	Bridgelux	KGP	> 80
SL422	3×8W	3×386	3000K	19°	Bridgelux	KGP	> 80

Color temperature range [2700K~6000K]  
Aluminum

### ALWAYS USE

- Black
- White
- Grey



Remark:  
● Product size excludes the size of surface plate and pendant line.  
● Technical information may change, please refer to the datasheet.

**DECORATIVE  
LAMP**

**DECORATIVE  
LAMP**

Pendant lamp  
Wall light  
Ceiling surface

**KETA**

**DECORATIVE  
LAMP**

**DECORATIVE  
LAMP**

Pendant lamp  
Wall light  
Ceiling surface

**KETAI**