



## Track Wallwasher G2

Create and develop the everlasting low carbon green economy is the essential responsibility that KETAI is always pursuing with its high capability in quality, innovation, credit.

service into its business management philosophy to achieve greater development for enterprise and business partners.

TRACK wall-washer G2 is made with this spirit. It has been upgraded to smaller size and better quality with higher efficient reflector. LED COB and integrated driver.

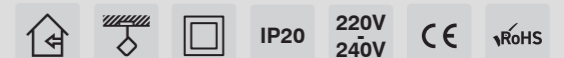


KETAI INDUSTRIES LIGHTING CO.,LTD.  
 Ketai Building, 4 Mashe New Street, Lishui, Nanhai,  
 Foshan Guangdong, China  
 T : +86 757 8560 7707  
 F : +86 757 8563 3675  
 E : sales@ketaitlighting.com

Join Us!

www.ketaitlighting.com

**KETAI**<sup>®</sup>



### Control Type

On-off
 0-10V
 Phase-Cut
 DALI
 Casambi

### Luminaire specifications

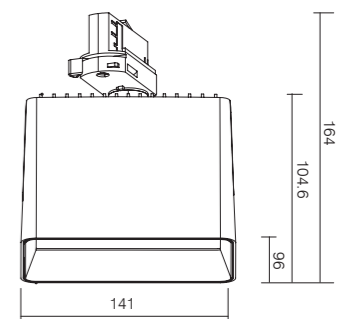
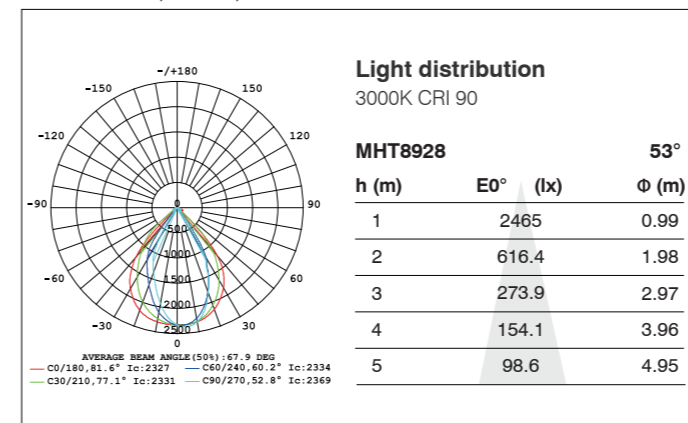
Mode	Power	Lumen	CCT	BA.	Light Source	Driver	CRI
MHT8928	27W	3105	3000K	68°	Philips	KGP	90

All values are measured at 220V(+/- 10%).  
 Color temperature range 2700K/3000K/3500K/4000K/5000K/6000K/Tunable White.  
 Colour Rendering Index (CRI) CRI80, CRI90  
 Die-casting Aluminum

### Finishing colour

- Black RAL9005
- Grey RAL9006
- White RAL9016

### MHT8928, 27W, 3105LUM



MHT8928