



Stepless adjustment of color temperature or brightness;



Switch key for brightness and color temperature

Color temperature adjustment.
Total 7 color temperatures for selection:

2700K | 3000K | 3500K | 4000K | 5000K | 5700K | 6500K

Brightness adjustment,
4 levels in total,

25% | 50% | 75% | 100%

The major photometric data is readable conveniently through a digital display screen built on the top of the lamp body.

In practical applications, if the product to be displayed is at similar parameter as of the configured one, user can copy the settings of the first light to other lights, simplify the entire installation and debugging process with great efficiency.

MUSE



MUSE track light presents a professional geometric lighting with outstanding performance typically for museums, art galleries, cultural and artistic projection, high-end hotels, etc.

Refined functional components are perfectly matched. The light distribution is shaped with 55° super wide beam-angle, it projects light with no distortion, no blue edge, and no color difference for a max. 2m * 2m area.

The lamp is compatible with intelligent control systems like DALI, WiFi, Bluetooth, Zigbee and other intelligent systems to control the lighting effect with preferable color temperature and brightness by 4 adjustment buttons on the display.



MUSE

Control Type



On-off



0-10V



Phase-Cut



DALI



Casambi



WIFI



Bluetooth



Zigbee

Luminaire specifications

Mode	Power	Lumen	CCT	BA.	Light Source	Driver	CRI
MHT8949	24W	743	2700-6500K	55°	EVERCORE	AREEK	90
MHT8956	24W	636	2700-6500K	18-32°	EVERCORE	AREEK	90

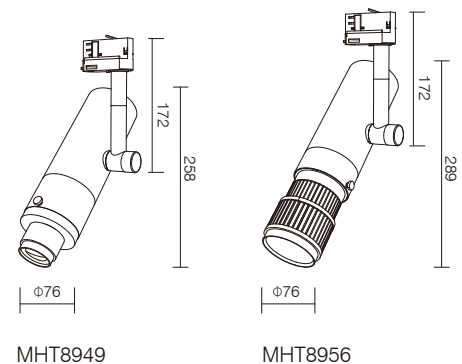
All values are measured at 220V(+/- 10%).
Color temperature range 2700K/3000K/3500K/4000K/5000K/5700/6500K/Tunable White.
Colour Rendering Index (CRI) CRI80, CRI90
Die-casting Aluminum

Frame Finishing color

■ Black RAL9005

■ Grey RAL9006

■ White RAL9016

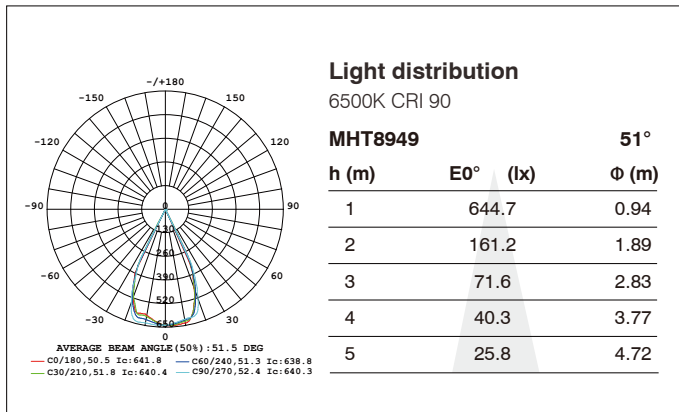




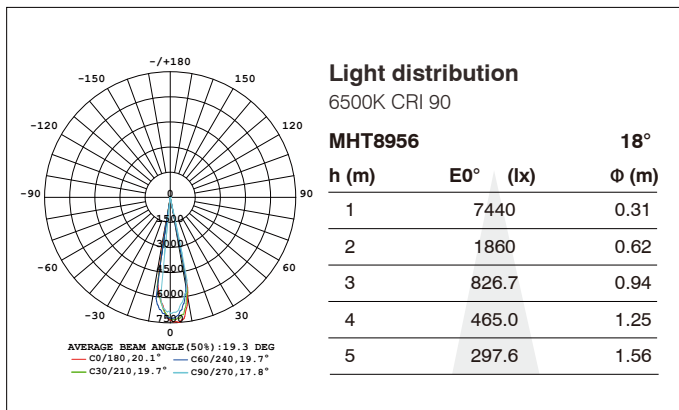
IP20

220V
240V

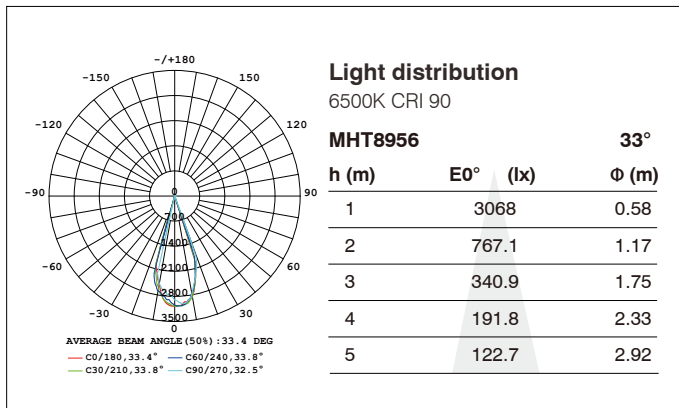
MHT8949, 24W, 466LUM



MHT8956, 24W, 636LUM



MHT8956, 24W, 636LUM





Since 1999

KETAI

Innovation & Customization



KETAI INDUSTRIES LIGHTING CO.,LTD.
Ketai Building, 4 Mashe New Street, Lishui, Nanhai,
Foshan Guangdong, China
T : +86 757 8560 7707
F : +86 757 8563 3675
E : sales@ketailighting.com

Join Us!

www.ketailighting.com

KETAI[®]