

LESS SERIES

Remark: ● Technical information may change, please refer to the datasheet.

Less Series - Track Light



Control Type



Luminaire specifications

Mode	Power	Lumen	CCT	BA.	Light Source	Driver	CRI
MHT8830	20W	1400	3000K	18/26/38°	Citizen	OSRAM	90
MHT8831	30W	2100	3000K	18/30/60°	Citizen	OSRAM	90

All values are measured at 220V(+/- 10%).
Color temperature range 2700K/3000K/3500K/4000K/5000K/6000K/Tunable White.
Colour Rendering Index (CRI) CRI80, CRI90
Die-casting Aluminum

Front Ring Finishing color



Replaceable Accessories



Frame Finishing color

- Black RAL9005
- Grey RAL9006
- White RAL9016



MHT8830

Light distribution

3000K CRI 90

MHT8830		29°
h (m)	E0° (lx)	Φ (m)
1	4329	0.53
2	1082	1.05
3	481.0	1.58
4	270.6	2.10
5	173.2	2.63

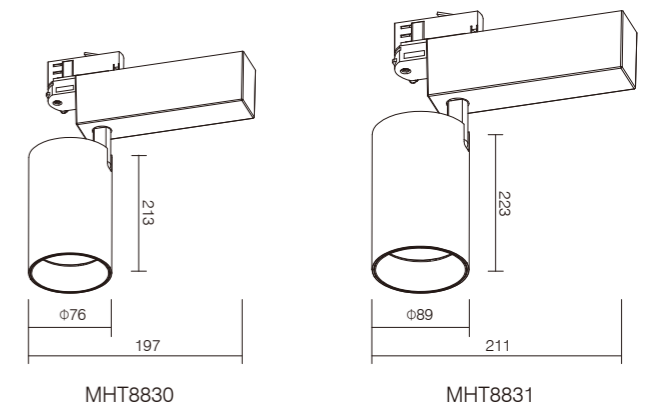


MHT8831

Light distribution

3000K CRI 90

MHT8831		29°
h (m)	E0° (lx)	Φ (m)
1	6165	0.51
2	1541	1.02
3	685.0	1.53
4	385.3	2.04
5	246.6	2.55



MHT8830

MHT8831



LESS SERIES



Less Series - Track Light



Light distribution
3000K CRI 90

MHT8877		23°	
h (m)	E0° (lx)	Φ (m)	
1	10173	0.40	
2	2543	0.81	
3	1130	1.21	
4	635.8	1.62	
5	406.9	2.02	



Light distribution
3000K CRI 90

MHT8880		24°	
h (m)	E0° (lx)	Φ (m)	
1	6682	0.42	
2	1670	0.85	
3	742.4	1.27	
4	267.3	2.11	
5	185.6	2.54	



Light distribution
3000K CRI 90

MHT8881		40°	
h (m)	E0° (lx)	Φ (m)	
1	1549	0.72	
2	387.1	1.44	
3	172.1	2.16	
4	96.8	2.88	
5	61.9	3.60	



Light distribution
3000K CRI 90

MHT8877A		38°	
h (m)	E0° (lx)	Φ (m)	
1	3458	0.68	
2	864.5	1.36	
3	384.2	2.04	
4	216.1	2.72	
5	138.3	3.40	



Light distribution
3000K CRI 90

MHT8880A		23°	
h (m)	E0° (lx)	Φ (m)	
1	4144	0.41	
2	1036	0.82	
3	460.4	1.23	
4	259.0	1.65	
5	165.7	2.06	



Light distribution
3000K CRI 90

MHT8881A		39°	
h (m)	E0° (lx)	Φ (m)	
1	1162	0.71	
2	290.4	1.41	
3	129.1	2.12	
4	72.6	2.82	
5	46.5	3.53	

Control Type

On-off
 0-10V
 Phase-Cut
 DALI
 Casambi

Luminaire specifications

Mode	Power	Lumen	CCT	BA.	Light Source	Driver	CRI
MHT8877	30W	3299	3000K	15/24/36°	OSRAM	OSRAM	90
MHT8880	20W	2040	3000K	18/24/38°	OSRAM	OSRAM	90
MHT8881	12W	887	3000K	15/24/36°	Bridgelux	KEGU	90
MHT8877A	30W	2902	3000K	16/24/40/60°	OSRAM	OSRAM	90
MHT8880A	20W	1901	3000K	15/24/40°	OSRAM	OSRAM	90
MHT8881A	12W	825	3000K	15/25/38°	Bridgelux	KEGU	90

All values are measured at 220V(+/- 10%).
Color temperature range 2700K/3000K/3500K/4000K/5000K/6000K/Tunable White.
Colour Rendering Index (CRI) CRI80, CRI90
Die-casting Aluminum

Front Ring Finishing color

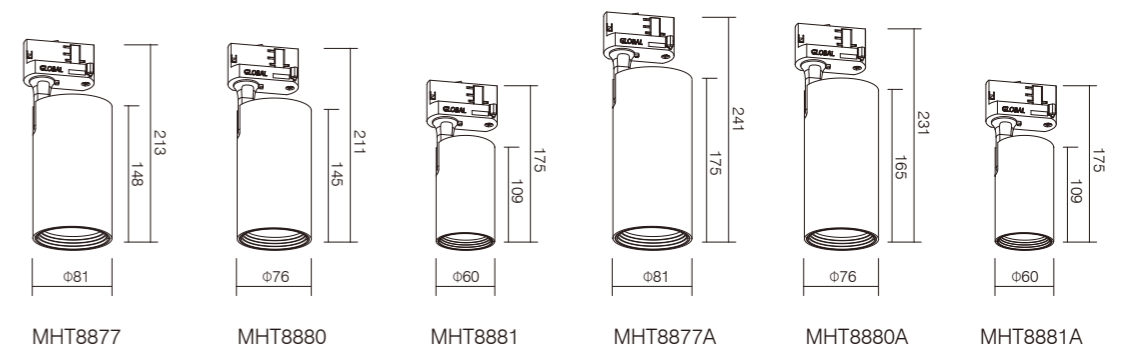


Replaceable Accessories



Frame Finishing color

- Black RAL9005
- Grey RAL9006
- White RAL9016



Remark: ● Technical information may change, please refer to the datasheet.